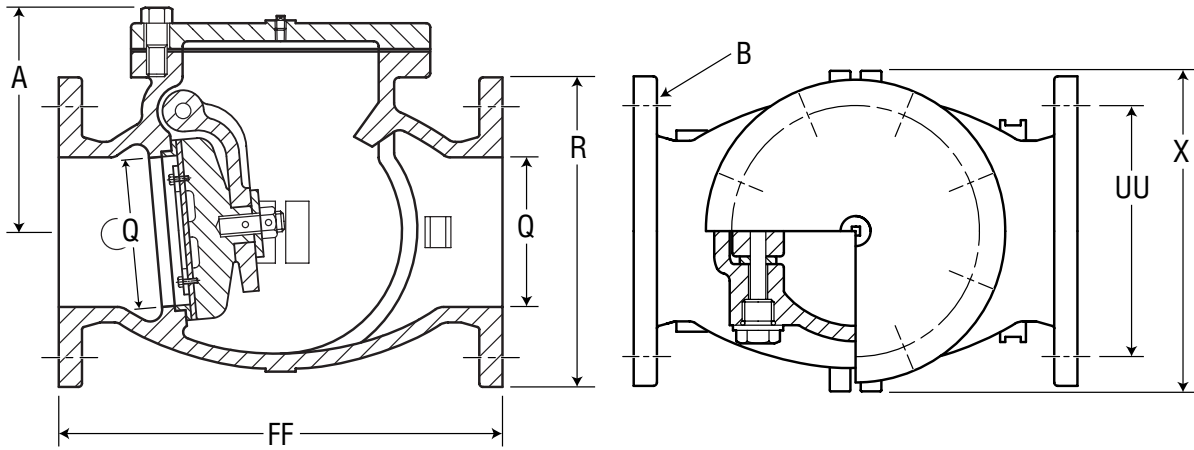


2"-12" SWING TYPE GRAVITY OPERATED CHECK VALVE DIMENSIONS - FL. X FL.



13.3

Shaded area indicates change Rev. 5-15



Dimension**	Size*			
	2"	2-1/2"	3"	4"
Q (bore)	2.00	2.50	3.00	4.00
R	6.00	7.00	7.50	9.00
FF	8.00	8.50	9.50	11.50
A	4.94	5.69	6.06	6.88
X	5.63	7.13	8.13	9.88
B (number and size of bolts)	4--.75	4--.75	4--.75	8--.75
UU (bolt circle diameter)	4.75	5.50	6.00	7.50
Weight	34	50	60	80

Dimension**	Size*			
	6"	8"	10"	12"
Q (bore)	6.00	8.00	10.00	12.00
R	11.00	13.50	16.00	19.00
FF	14.00	19.50	24.50	27.50
A	8.50	9.94	11.19	13.56
X	11.88	16.13	18.38	21.63
B (number and size of bolts)	8--.88	8--.88	12--1.00	12--1.00
UU (bolt circle diameter)	9.50	11.75	14.25	17.00
Weight	151	267	405	611

*Nominal

**All dimensions are in inches. All weights are in pounds and are approximate.