

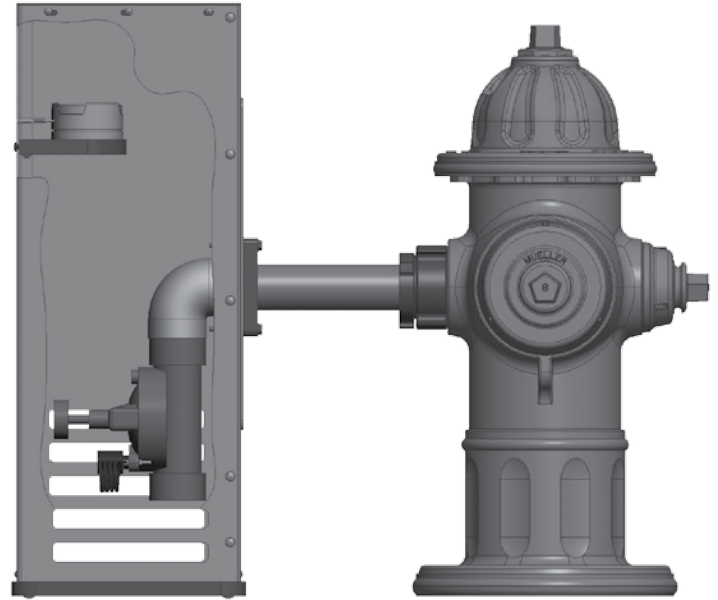
HYDRO-GUARD® TEMPORARY (PORTABLE) FLUSHING SYSTEMS ORDERING GUIDE



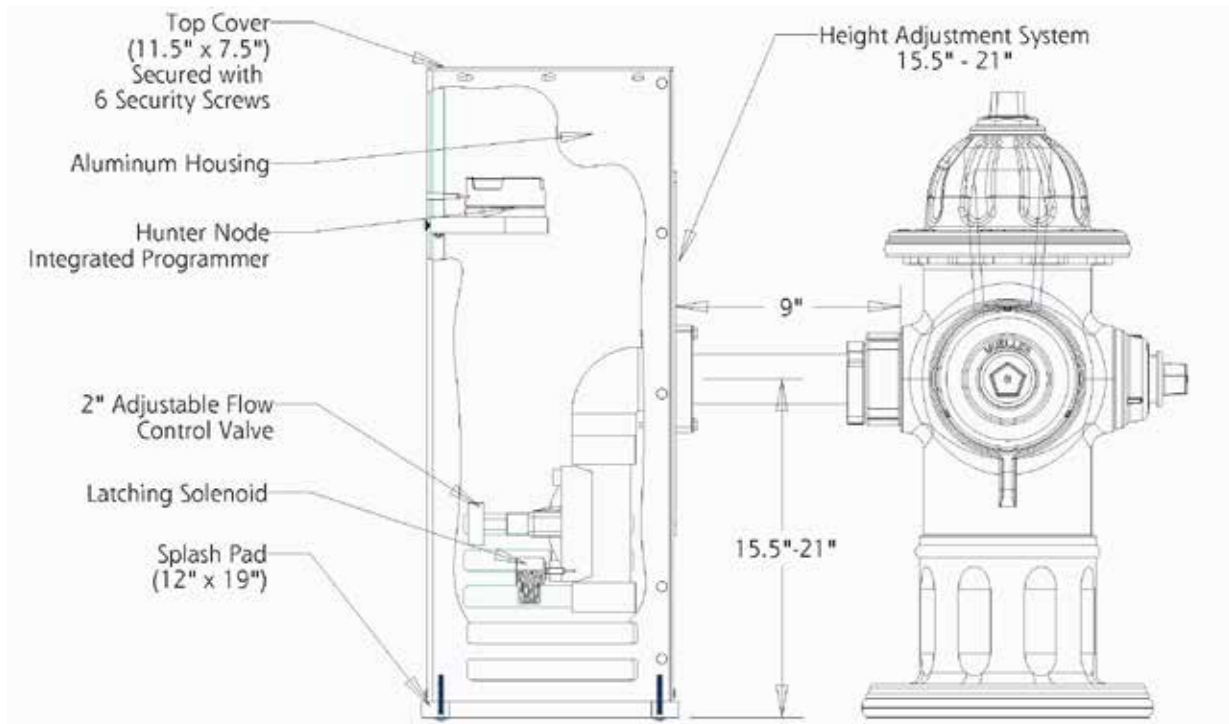
Ordering Guide

To order a Hydro-Guard automatic flushing and monitoring system, simply choose the desired options from the chart below and contact your Mueller Sales Representative for pricing. ■ indicates option is included with the unit.

Hydro-Guard (Hydrant Mount)	■	HG6 = Hydrant Mount / Discharges to Ground <u>INCLUDES</u> Dechlor and Sampling
Backflow Prevention	■	A = Air Gap
Programming	<input type="checkbox"/>	IN = Built-In (NODE)
	<input type="checkbox"/>	RM = Removable (T-2) ⁵
	<input type="checkbox"/>	SM = SMART Controller Upgrade ⁶
Valve/Inlet Size	■	2 = 2" Valve & Piping
Pipe Material	<input type="checkbox"/>	BRN = No Lead Brass Piping (includes Dechlor and Sampling)
	<input type="checkbox"/>	PVC = Brass Connection with Schedule 80 PVC Piping ⁴ ; Dechlor and Sampling are not included
Bury Depth	■	000 = None / Hydrant Mount
Enclosure Type	<input type="checkbox"/>	LPUN = Unpainted ⁴
	<input type="checkbox"/>	LPRR = Red
	<input type="checkbox"/>	LPYY = Yellow



HG-6 Flushing System



4 - Unpainted enclosures are only available with Hydrant Flushing models that are equipped with Schedule 80 PVC piping and do not require dechlorination system.
 5 - Where an "RM" code is indicated for controller type a handheld controller will be required. The handheld controller (PN: 545687) is sold separately. One handheld controller can be used to manage programming on an unlimited number of "RM" equipped flushing systems.
 6 - Where an "SM" code is indicated for controller type a SMART Multi-Parameter Monitoring and Flushing Controller will be utilized. As of this date, the SMART Multi-Parameter Controller will monitor for up to three water quality parameters (analyzers sold separately) including chlorine, temperature, pH, pressure and turbidity.