

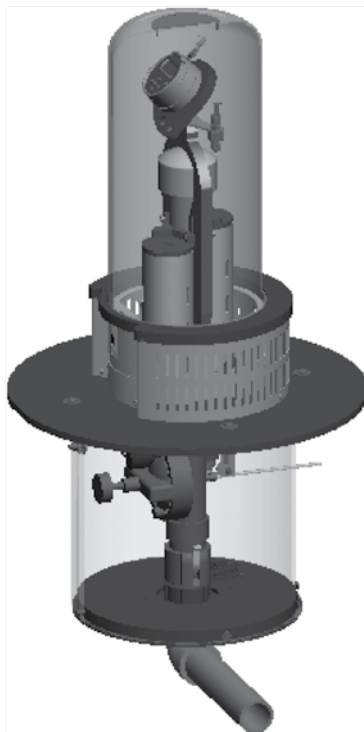
Rev. 2-16 Shaded area indicates change

## Hydro-Guard Permanent Flushing Systems

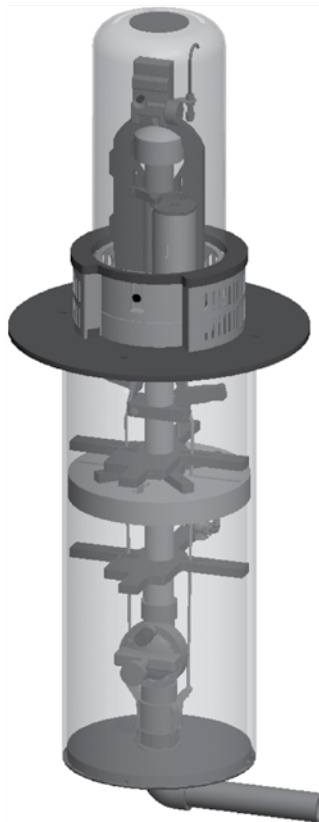
Hydro-Guard Permanent Flushing Systems provide a fully automated solution for flushing water distribution lines. The units can be designed to operate reliably in warm and cold climates. Designed for use with a built-in (NODE) multi-event programmer, Hydro-Guard systems are programmed to flush a water line multiple times per day, seven days a week, with flush durations ranging from one minute to six hours per program. Water can be discharged atmospherically onto the system's splash plate or direct into a sewer system.

### Standard Features:

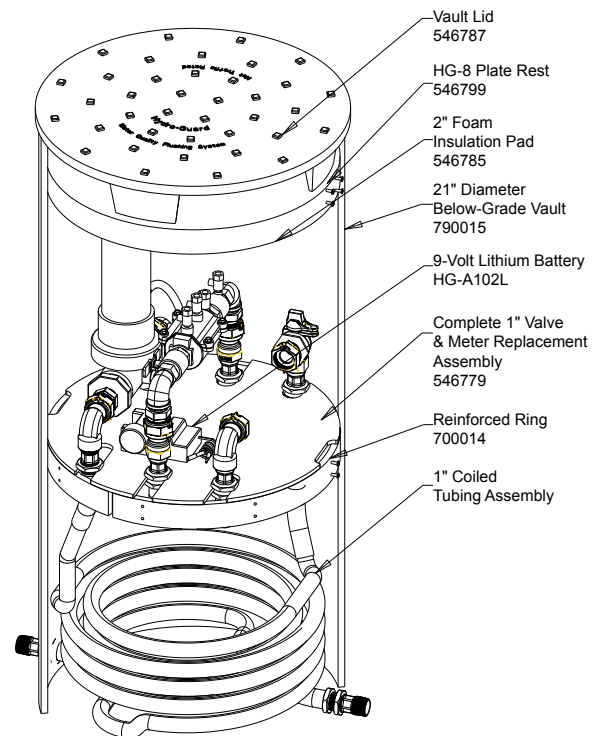
- Programming managed by a multi-event battery powered handheld programmer (9-volt Alkaline battery)
- Battery and programming interface accessible from top of unit (9-volt Lithium)
- 7psi to 150psi operating pressure (valve rated to 200psi)
- Free standing design
- Lockable, polyethylene housing provides durability, UV and impact resistance
- Cold climate units feature a patented freeze protection system features a self-draining dual check valve
- Energy dissipating stainless steel shield and integral heavy-duty UV protected splash plate (est. 135 gpm).
- OEM-installed Dechlorination System (12-tablet capacity)
- OEM-installed Sampling System (allows sample collection with unit on or off)
- Security Kit (1 set included with purchase)
- Cold climate units feature a patented Cam-Lock™ Release System



**HG-1 Permanent Automatic  
Flushing System**



**HG-3 Permanent Automatic  
Flushing System**



**HG-8 Cold Climate Assembly**