

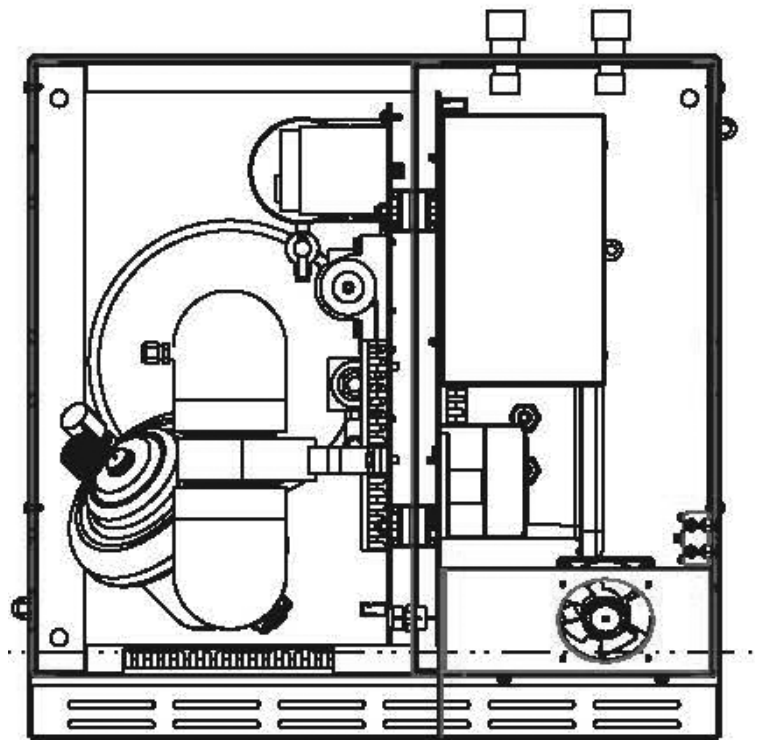
**Hydro-Guard S.M.A.R.T. Flush Management Options**

The Hydro-Guard S.M.A.R.T. Flushing System is the ultimate automated flush management system. S.M.A.R.T. enabled flushing can be set to occur either by scheduled flush times or in response to real-time analysis of local water quality. What's more it allows two-way communication and remote flush and water quality management via either a secure web portal or a secure interface with end-user's existing SCADA via MODBUS TCP protocol.

By way of this two-way communication, the utility can receive near-time updates from each Hydro-Guard Unit in the distribution system equipped with the S.M.A.R.T. controller. It can be integrated with a residual analyzer and a variety of other water quality management devices. This integration will allow the Hydro-Guard S.M.A.R.T. Flushing System to flush only when the disinfectant residual drops below the parameters established by the end-user, as opposed to flushing on a set time based schedule. S.M.A.R.T. technology takes water conservation and cost management to a whole new level of potential savings.

**Standard Features:**

- Hydro-Guard S.M.A.R.T. Controller
- Hydro-Guard S.M.A.R.T. Management RTU with Ethernet
- Premium grade Chlorine Analyzer
- Web-based two way management software
- MODBUS TCP for SCADA integration
- Monitor up to three independent water quality parameters
- System management assisted by remote telemetry
- Premium grade protective enclosure with optional tamper notification
- Weather-proof protective enclosure
- Protective flexible conduit (50 ft.) and shielded wire (50 ft.)
- Required mounting system and weather-proof fittings
- Hydro-Guard Flushing System (model to be determined through client/Hydro-Guard consultation)



S.M.A.R.T. Flushing System