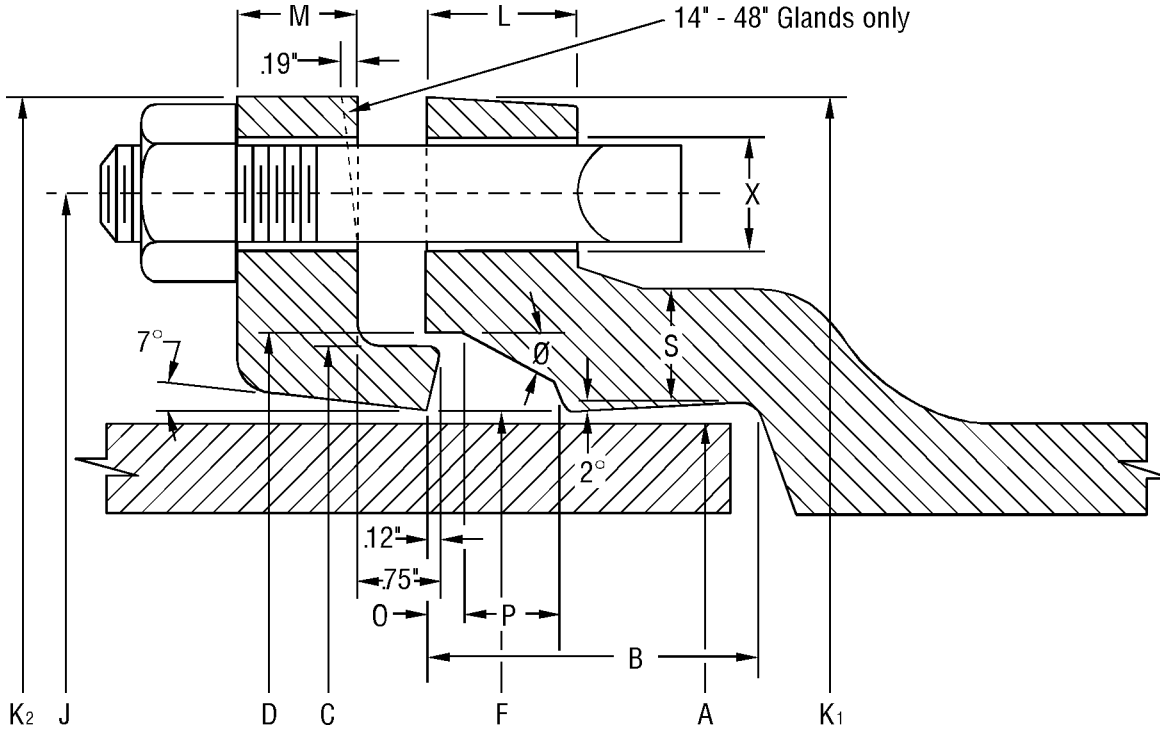


ENGINEERING INFORMATION - STANDARD MECHANICAL JOINT DIMENSIONS



19.17

Shaded area indicates change Rev. 4-99



Size	A	B	C	D	F	Ø	X	J	K1		K2	L	M	O	P	S		Bolts		
									Centrifugal pipe	Pitcast pipe and fittings						Centrifugal pipe	Pitcast pipe and fittings	Number	Size	Length
3	3.96	2.50	4.84	4.94	4.06	28°	3/4	6.19	7.62	7.69	7.69	.94	.62	.31	.63	.47	.52	4	5/8	3
4	4.80	2.50	5.92	6.02	4.90	28°	7/8	7.50	9.06	9.12	9.12	1.00	.75	.31	.75	.55	.65	4	3/4	3-1/2
6	6.90	2.50	8.02	8.12	7.00	28°	7/8	9.50	11.06	11.12	11.12	1.06	.88	.31	.75	.60	.70	6	3/4	3-1/2
8	9.05	2.50	10.17	10.27	9.15	28°	7/8	11.75	13.31	13.37	13.37	1.12	1.00	.31	.75	.66	.75	6	3/4	4
10	11.10	2.50	12.22	12.34	11.20	28°	7/8	14.00	15.62	15.69	15.62	1.19	1.00	.31	.75	.72	.80	8	3/4	4
12	13.20	2.50	14.32	14.44	13.30	28°	7/8	16.25	17.88	17.94	17.88	1.25	1.00	.31	.75	.79	.85	8	3/4	4
14	15.30	3.50	16.40	16.54	15.44	28°	7/8	18.75	20.25	20.31	20.25	1.31	1.25	.31	.75	.85	.89	10	3/4	4
16	17.40	3.50	18.50	18.64	17.54	28°	7/8	21.00	22.50	22.56	22.50	1.38	1.31	.31	.75	.91	.97	12	3/4	4-1/2
18	19.50	3.50	20.60	20.74	19.64	28°	7/8	23.25	24.75	24.83	24.75	1.44	1.38	.31	.75	.97	1.05	12	3/4	4-1/2
20	21.60	3.50	22.70	22.84	21.74	28°	7/8	25.50	27.00	27.08	27.00	1.50	1.44	.31	.75	1.03	1.12	14	3/4	4-1/2
24	25.80	3.50	26.90	27.04	25.94	28°	7/8	30.00	31.50	31.58	31.50	1.62	1.56	.31	.75	1.08	1.22	16	3/4	5
30	32.00	4.00	33.29	33.46	32.17	20°	1-1/8	36.88	39.12	39.12	39.12	1.81	2.00	.38	1.00	1.20	1.50	20	1	5-1/2
36	38.30	4.00	39.59	39.76	38.47	20°	1-1/8	43.75	46.00	46.00	46.00	2.00	2.00	.38	1.00	1.35	1.80	24	1	5-1/2
42	44.50	4.00	45.79	45.96	44.67	20°	1-3/8	50.62	53.12	53.12	53.12	2.00	2.00	.38	1.00	1.48	1.95	28	1-1/4	6
48	50.80	4.00	52.09	52.25	50.97	20°	1-3/8	57.50	60.00	60.00	60.00	2.00	2.00	.38	1.00	1.61	2.2			

Chart taken from ANSI A21.11 and AWWA C111 Standard Specifications.