

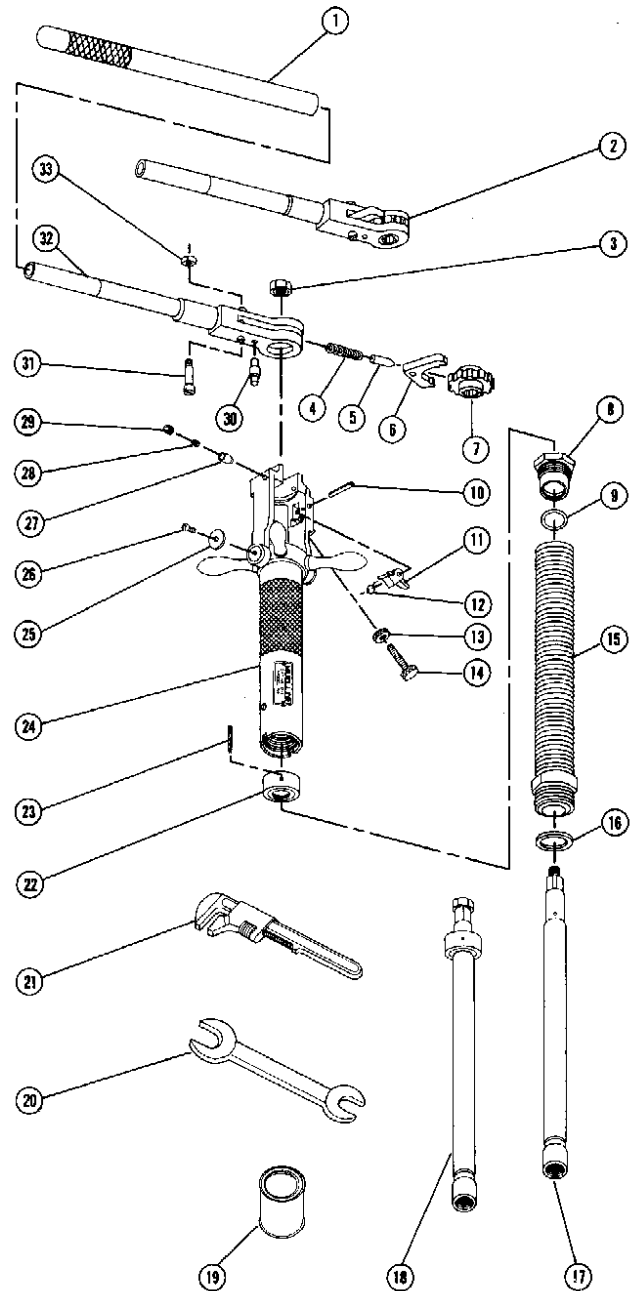
Rev. 4-14

Item No.	Part Number	Part Name
	039305	Machine Complete
1	86391	Handle extension
2	85308	Ratchet handle
3	46029	Retaining nut
4	40007	Spring
5	40006	Spring pin
6	40004	Ratchet dog
7	40137	Ratchet wheel
8	51377	Packing gland
9	51458	O-ring
10	502027	Rollpin
11	502025	Pivot arm
12	502026	Pivot arm spring
13	502029	Lock nut
14	502028	Operating screw
15	36758	Body
16	33278	Body gasket
17	503141	Boring bar
18	580945	Boring bar complete
19	88366	Cutting grease
20	58196	Wrench
21	91664	Wrench
22	580610	Friction collar
23	48130	Friction collar pin
24	580946	Feed tube & yoke complete
25	537126	Washer
26	312443	Retaining screw
27	500851	Detent
28	59810	Detent spring
29	305006	Detent screw
30	40139	Stud
31	40138	Bolt*
32	40177	Handle bar
33	46255	Nut

*Order both parts when replacing either one
(Operating instruction manual form number 9335)

Repair Kit

Item Number	Part Number	Part Name
	681846	Complete Kit includes the following
9	51458	O-ring
16	33278	Body gasket
19	88366	Cutting grease
22	580610	Friction collar
23	48130	Friction collar pin



Storage chest 580969 (not illustrated)

NOTE: These illustrations are for parts identification only. DO NOT use these illustrations for assembly or disassembly of machine. MUELLER CO. offers a machine repair service. Contact MUELLER® Customer Service Center for details.

TO ORDER SPECIFY QUANTITY, PART NUMBER AND PART NAME (include catalog number and model number of machine)