

MUELLER® TRU-CUT™ DRILLING MACHINE

REPAIR PARTS & REPAIR KIT



2.21

Shaded area indicates change Rev. 5-16

Item No.	Part Number	Part Name
-	039431	Machine Complete
1	528716	Drive nut
2	507143	Pin
3	89073	Connector
4	78855	Thrust bearing
5	78856	Collar
6	528725	Feed sleeve
7	528717	Body
8	78858	O-ring
9	58733	Gasket
10	528718	Boring bar

Machine Kit

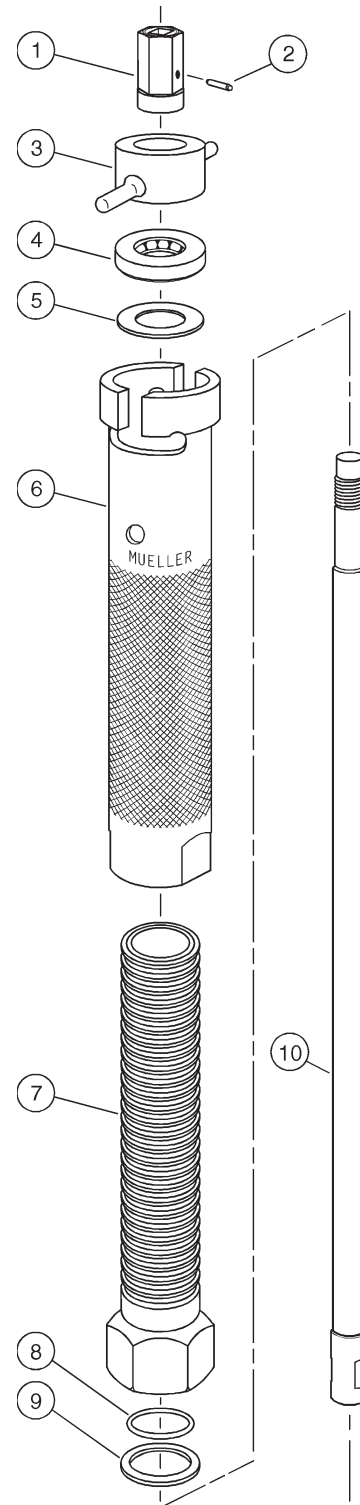
Item No.	Part Number	Part Name
-	682296	Machine Complete
1	528716	Drive nut
2	507143	Pin
3	89073	Connector
5	78856	Collar
6	528725	Feed sleeve
7	528717	Body
8	78858	O-ring
9	58733	Gasket
10	528718	Boring bar
-	528571	Thrust bearing
-	681919	Shell cutter
-	505825	Lock washer
-	507632	Machine Adapter

Body Extension

Part Number	Part Name
506363	1-15/16" Ling Body Extension

Repair Kit

Item No.	Part Number	Part Name
-	682632	Complete kit
1	528571	Thrust bearing
2	78858	O-ring
3	58733	Gasket
4	88366	Cutting grease



NOTE: These illustrations are for parts identification only. DO NOT use these illustrations for assembly or disassembly of machine. MUELLER CO. offers a machine repair service. Contact MUELLER® Customer Service Center for details.

TO ORDER SPECIFY QUANTITY, PART NUMBER AND PART NAME (include catalog number and model number of machine)