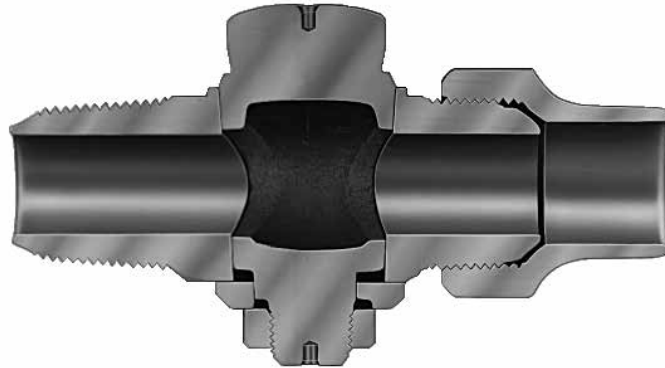


MUELLER CO. has been manufacturing ground key corporation stops since 1870 and many features of the modern day stops were developed by MUELLER CO.

These features include a brass alloy, and inlet thread and outlet connections that were eventually adopted as American Water Works Association Standards.

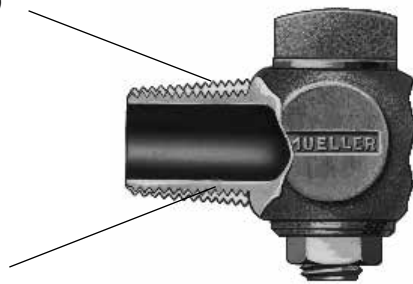
MUELLER® Ground Key Design Corporation Valves



- INTEGRAL OUTLET available with a wide variety of outlet end connections including the MUELLER 110® Compression Connection, MUELLER Grip Compression Connection, MUELLER Pack Joint Connection, MUELLER INSTA-TITE® Connection, copper flare, inside iron pipe, outside iron pipe, increasing iron pipe, MUELLER Coupling Thread and other popular connections.
- INLET THREADS are either AWWA taper thread (MUELLER "CC") or AWWA iron pipe thread.
- MANUFACTURED AND TESTED - to ANSI/AWWA C800 Standard.
- STRAIGHT THROUGH DESIGN - allows maximum flow with minimum pressure loss.
- KEY AND BODY - are precision machined to assure sealing surfaces match.
- 100 PSIG - maximum working pressure for 1/2," 3/4" and 1" sizes. 80 PSIG - maximum working pressure for 1-1/4", 1-1/2" and 2"
- "D" SHAPED WASHER - turns with key to prevent loosening of key nut.
- KEY NUT - is designed so overtightening will strip stem threads instead of breaking stem.

Corporation valve inlet threads

- AWWA taper (MUELLER "CC") thread.
- AWWA iron pipe thread.



MUELLER Screw plug thread

- Increasing I.P. thread is one size larger than inlet.
- Screw plug thread is same nominal size as inlet.

