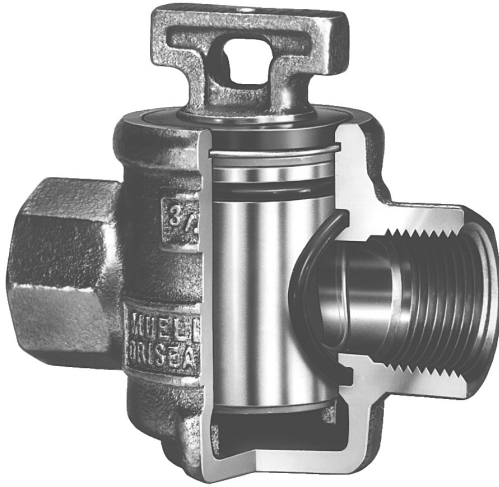


All service brass will comply with AWWA C-800. Components in contact with potable water will also comply with latest requirements of the Federal Safe Drinking Water Act.

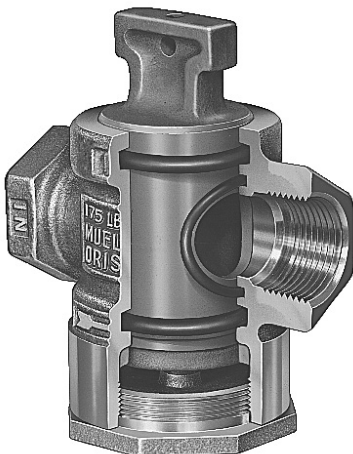
MUELLER ORISEAL III Curb Valve



- MANUFACTURED AND TESTED - to ANSI/AWWA C800 standard.
- HEAVY BRASS COMPONENTS constructed of brass for strength and durability.

- END CONNECTIONS include copper flare, MUELLER 110® Compression Connection, MUELLER INSTA-TITE Connection, and F.I.P. thread.
- INTEGRAL TEE HEAD AND PLUG for solid one-piece strength.
- HIGH STRENGTH INTEGRAL CHECKS assure positive quarter turn operation. Checkless 360° turn design also available.
- LOW FRICTION THRUST WASHER reduces friction for easy turning.
- CLOSED BOTTOM minimizes exposed moving parts.
- 175 PSIG maximum working pressure.
- TOP O-RING provides pressure sealing to outside.
- PORT O-RING provides effective sealing regardless of flow direction.
- FULL ROUND PORT OPENING for maximum flow and minimum pressure loss.

MUELLER ORISEAL Curb Valve



- HEAVY BRASS COMPONENTS constructed brass for strength and durability.
- MANUFACTURED AND TESTED - to ANSI/AWWA C800 standard.

- END CONNECTIONS - include copper flare and F.I.P. thread.
- HIGH STRENGTH INTEGRAL CHECKS - assure positive quarter turn operation.
- INTEGRAL TEE HEAD AND PLUG - for solid one-piece strength.
- FLUOROCARBON COATED PLUG - assures easy turning.
- TOP AND BOTTOM O-RINGS - for positive pressure sealing, easy turning.
- 175 PSIG - maximum working pressure.
- PORT O-RING assures positive shut-off and easy turning.
- FULL OPENING ROUND PORT- for maximum flow and minimum pressure loss.