

COPPER METER YOKES - BASEMENT TYPE WITH VERTICAL INLET AND OUTLET

Mueller Co.

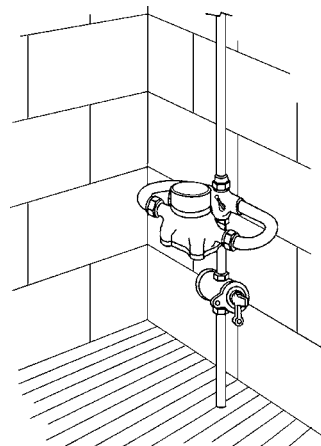
8A.25

Shaded area indicates change Rev. 4-14

8A - COPPER YOKES



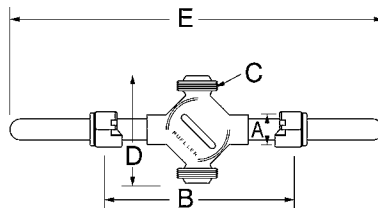
Multi-purpose thread ends



H-1412N shown
Typical installation of a basement type copper meter yoke
in horizontal plane with centered vertical inlet and outlet

Copper meter yokes - basement type with vertical inlet and outlet, and multi-purpose thread ends

Catalog Number	H-1412N	H-1420N
Description	Plain yoke	Offset plain yoke



Dimensions

Meter Sizes	5/8"	5/8" x 3/4"	3/4"	1"
Nominal size of I.P. thread in meter nut	3/4"	1"	1"	1-1/4"
A	1-1/16"	1-5/16"	1-5/16"	1-5/8"
B	7-7/8"	7-7/8"	9-3/8"	11-1/8"
C - nominal pipe size of inlet and outlet	3/4"	3/4"	3/4"	1"
D	3-11/16"	3-11/16"	4"	4-11/16"
E	13-3/4"	13-3/4"	16"	18-11/16"
F	5"	5"	6-1/4"	7-1/2"

Copper Meter Yokes are normally supplied less end connections. See pages 8A.48 and 8A.49 for end connections that can be used with these yokes.

SPECIFY METER SIZE, RISER HEIGHT AND CATALOG NUMBER.

MUELLER Copper Meter Yokes are manufactured and tested in accordance with ANSI/AWWA C800. Components in contact with potable water will also comply with latest requirements of the Federal Safe Drinking Water Act.