

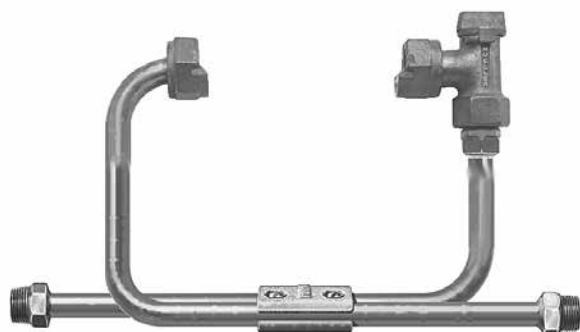
COPPER METER YOKES - ADJUSTABLE TYPE WITH HORIZONTAL INLET & OUTLET (FOR 5/8" X 3/4" & 3/4" METERS)



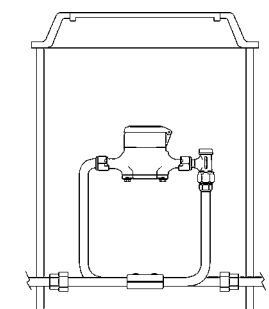
8A.29

Shaded area indicates change Rev. 4-14

8A - COPPER YOKES



M.I.P. thread ends (H-1702N shown)



Typical installation of an adjustable type copper meter yoke with horizontal inlet and outlet and M.I.P. meter thread ends

Adjustable type copper meter yokes with horizontal inlet and outlet, and M.I.P. thread ends

Catalog Number	H-1702N	B-2702N
Description	With lock wing ground key angle meter stop	With lock wing MUELLER 300™ Angle Meter Ball Valve*

NOTE: An optional clamp with a bracing eye is available on special order for these yokes. A length of 3/4" CTS O.D. plastic tubing or 1/2" schedule 40 steel pipe can be inserted through the eye to provide additional stability when using the yoke with plastic service tubing or pipe. Contact the MUELLER Customer Service Center for ordering instructions, availability, and price.



M-98™ ASSE approved top entry vertical check valve

Check valve options

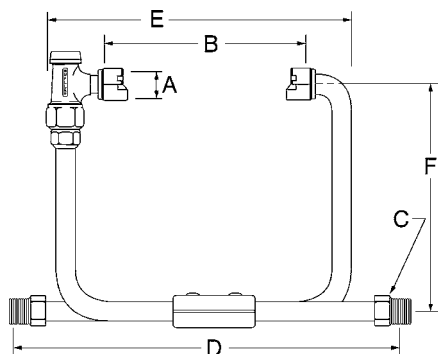
MUELLER Copper Meter Yokes can be ordered with one of the following: an ASSE approved top entry vertical check valve; an ASSE approved dual check valve; a dual check valve (ASSE non-approved). To order the ASSE approved top entry check feature, add a suffix of **-6A** to the yoke catalog number; add **-6D** for the same check with a test drain. For the dual check feature, add a suffix of **-2A** to the yoke catalog number for the ASSE approved model or **-2** suffix for the nonapproved model. Examples:

H-1702-6DN for the ASSE approved top entry vertical check with a test drain;

H-1702-2AN for the ASSE approved model angle dual check valve.



Angle dual check valve
* Add "R" to the end of



Dimensions

Meter Sizes	5/8" x 3/4" to 3/4"
Nominal size of I.P. thread in meter nut	1"
A	1-5/16"
B	Adjustable for 5/8" x 3/4" and 3/4" meters
C - nominal pipe size of inlet and outlet	1"
D	Adjustable
E	Adjustable
F	7" (9***)
Other riser heights available	9", 10", and 12"

the yoke catalog number to order a reduced port Angle Ball Valve; EXAMPLE: 5/8x3/4x7 B-2702R.
***Minimum with 6A or 6D option.

Copper Meter Yokes are normally supplied less end connections. See section six (6) for end connections that can be used with these yokes.

SPECIFY METER SIZE, RISER HEIGHT AND CATALOG NUMBER.

MUELLER Copper Meter Yokes are manufactured and tested in accordance with ANSI/AWWA C800. Components in contact with potable water will also comply with latest requirements of the Federal Safe Drinking Water Act.