

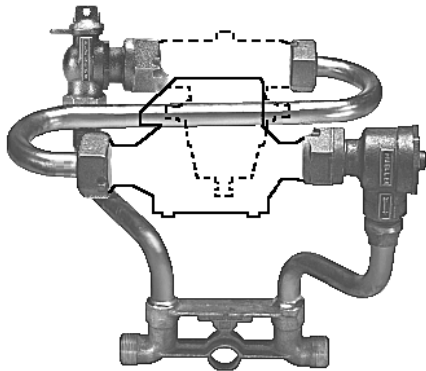
**COPPER METER YOKES - TANDEM TYPE  
WITH HORIZONTAL INLET AND OUTLET**



**8A.31**

Shaded area indicates change Rev. 4-14

8A - COPPER YOKES



Tandem type copper meter yokes are normally used to set a meter and a pressure regulator but can also be used to set a meter and other types of valves or devices such as backflow preventors or air release valves. Due to the infinite number of combinations of tandem yokes that can be made, we ask that you copy this page and send your specific requirements to our Customer Service Center for a price and availability quotation.

Typical tandem meter yoke (meter and idler bar not included)

**MUELLER® Tandem Meter Yoke Quotation Form**

Your company name \_\_\_\_\_ Street address \_\_\_\_\_

City \_\_\_\_\_ State \_\_\_\_\_ Zip \_\_\_\_\_ Contact person \_\_\_\_\_

Job name \_\_\_\_\_ Qty. req'd. \_\_\_\_\_ Date req'd. \_\_\_\_\_

Meter size \_\_\_\_\_ Riser height \_\_\_\_\_ Type (flexible or cast tie bar) \_\_\_\_\_

I.D of pit or tile \_\_\_\_\_

Inlet size \_\_\_\_\_ Inlet connection \_\_\_\_\_ Inlet valve type \_\_\_\_\_

Type of tandem device (regulator, backflow preventor etc) \_\_\_\_\_

Size of tandem device \_\_\_\_\_ Lay Length of tandem device \_\_\_\_\_

Type of end connections on tandem device \_\_\_\_\_

Tandem device Manufacturers name \_\_\_\_\_ Tandem device model number \_\_\_\_\_

Type of outlet valve \_\_\_\_\_ Size of outlet \_\_\_\_\_ Outlet connection \_\_\_\_\_

Description of tandem yoke required \_\_\_\_\_

\_\_\_\_\_

\_\_\_\_\_

\_\_\_\_\_

Optional: drawing or photo of yoke required