

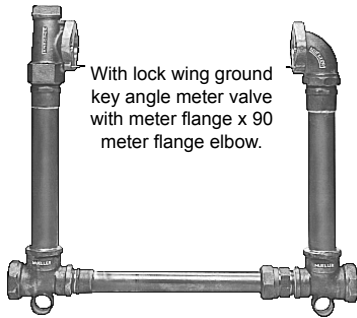
# 8A.32



## COPPER METER YOKES WITH HORIZONTAL INLET AND OUTLET (FOR 1-1/2" & 2" FLANGED METERS)

Rev. 4-14 Shaded area indicates change

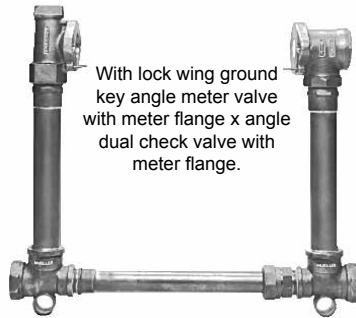
8A - COPPER YOKES



With lock wing ground key angle meter valve with meter flange x 90 meter flange elbow.

**H-1422N**

FIP end inlets and outlets



With lock wing ground key angle meter valve with meter flange x angle dual check valve with meter flange.

**H-1422-2N**

FIP end inlets and outlets



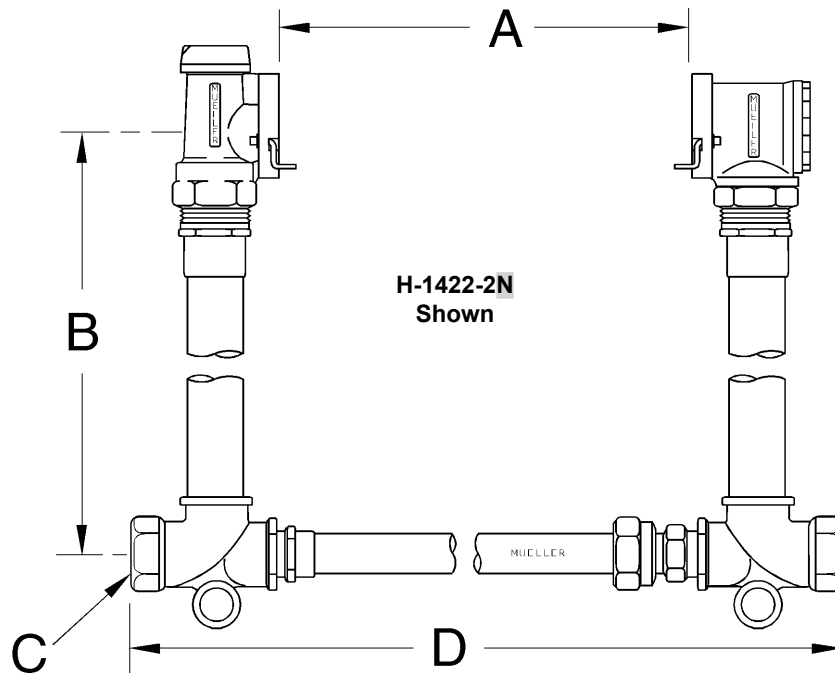
With lock wing ground key angle meter valve with meter flange x lock wing ground key angle meter valve with meter flange.

**H-1422-00N**

FIP end inlets and outlets

### 1-1/2" and 2" Copper meter setters

Catalog Number	H-1422N	H-1422-2N	H-1422-00N
Description	With lock wing ground key angle meter with meter flange x 90° meter flange elbow	With lock wing ground key angle meter valve with meter flange x angle dual check valve with meter flange	With lock wing ground key angle meter valve with meter flange x lock wing ground key angle meter valve with meter flange



### Dimensions

Meter size	1-1/2"	2"
Dimension A*	13.25"	17.25"
Dimension B - riser height	12", 15", 18", 21", 24", 27"	12", 15", 18", 21", 24", 27"
Dimension C - nominal pipe size of inlet and outlet	1-1/2"	2"
Dimension D*	21.50"	26.63"

\*Adjustable dimension. Copper tubing in the tie bar can be cut to accommodate shorter meters. Adjustment affects both A and D dimensions.

See section 6 for end connections that can be used with these yokes.

### SPECIFY METER SIZE, RISER HEIGHT AND CATALOG NUMBER.

MUELLER Copper Meter Yokes are manufactured and tested in accordance with ANSI/AWWA C800. Components in contact with potable water will also comply with latest requirements of the Federal Safe Drinking Water Act.