

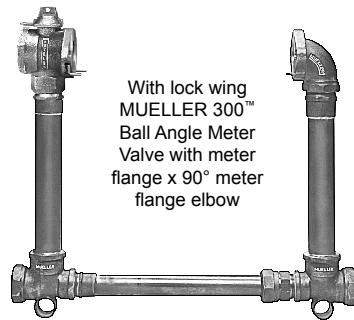
# COPPER METER YOKES WITH HORIZONTAL INLET AND OUTLET (FOR 1-1/2" & 2" FLANGED METERS)



# 8A.33

Shaded area indicates change Rev. 4-14

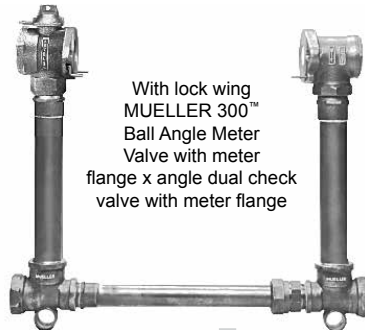
8A - COPPER YOKES



With lock wing  
MUELLER 300™  
Ball Angle Meter  
Valve with meter  
flange x 90° meter  
flange elbow

**B-2422N**

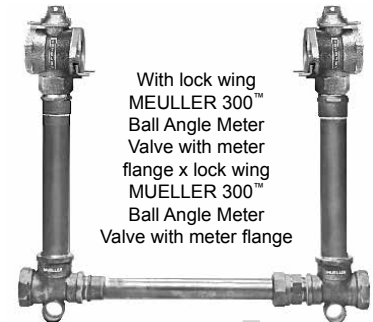
FIP end inlets  
and outlets



With lock wing  
MUELLER 300™  
Ball Angle Meter  
Valve with meter  
flange x angle dual check  
valve with meter flange

**B-2422-2N**

FIP end inlets  
and outlets



With lock wing  
MUELLER 300™  
Ball Angle Meter  
Valve with meter  
flange x lock wing  
MUELLER 300™  
Ball Angle Meter  
Valve with meter flange

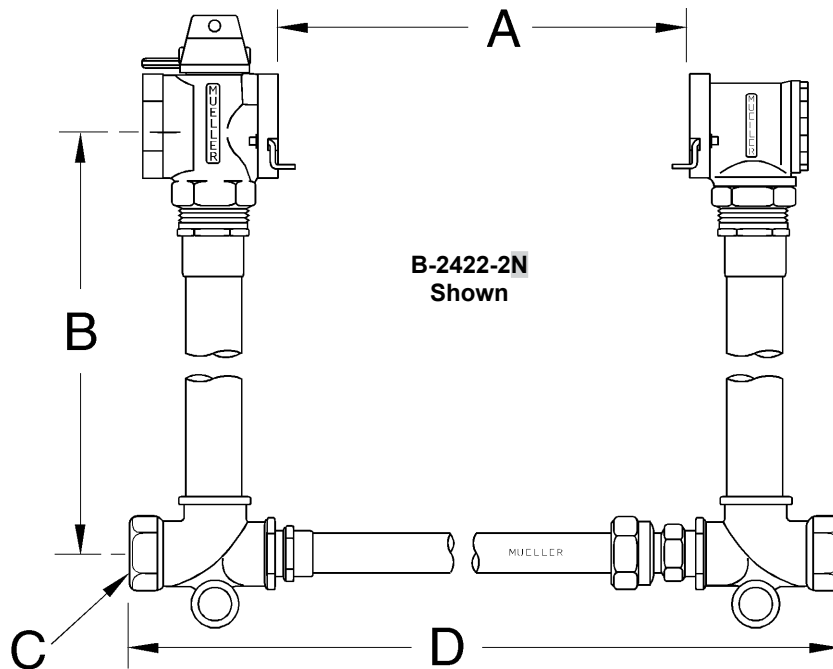
**B-2422-00N**

FIP end inlets  
and outlets

## 1-1/2" and 2" Copper meter setters

Catalog Number	B-2422N	B-2422-2N*	B-2422-00N*
Description	With lock wing Mueller 300™ Ball Angle Meter Valve x 90° meter flange elbow	With lock wing Mueller 300 Ball Angle Meter Valve x angle dual check valve with meter flange	With lock wing Mueller 300 Ball Angle Meter Valve x lock wing Mueller 300 Ball Angle Meter Valve

\*For ASSE Approved canister dual check - add 6A for regular or 6D for drain



## Dimensions

Meter size	1-1/2"	2"
Dimension A*	13.25"	17.25"
Dimension B - riser height	12", 15", 18", 21", 24", 27"	12", 15", 18", 21", 24", 27"
Dimension C - nominal pipe size of inlet and outlet	1-1/2"	2"
Dimension D*	21.50"	26.63"

\*Adjustable dimension. Copper tubing in the tie bar can be cut to accommodate shorter meters. Adjustment affects both A and D dimensions.

See section 6 for end connections that can be used with these yokes.

## SPECIFY METER SIZE, RISER HEIGHT AND CATALOG NUMBER.

MUELLER Copper Meter Yokes are manufactured and tested in accordance with ANSI/AWWA C800. Components in contact with potable water will also comply with latest requirements of the Federal Safe Drinking Water Act.