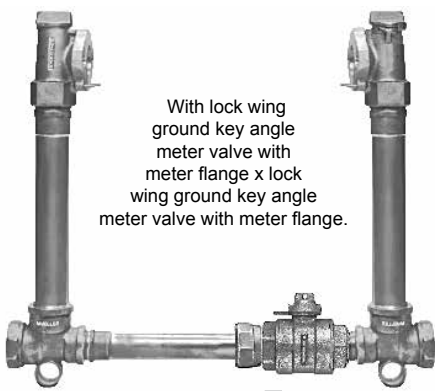


Rev. 4-14 Shaded area indicates change

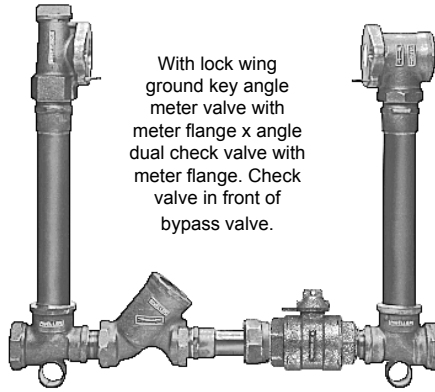
8A - COPPER YOKES



With lock wing ground key angle meter valve with meter flange x lock wing ground key angle meter valve with meter flange.

**H-1423N**

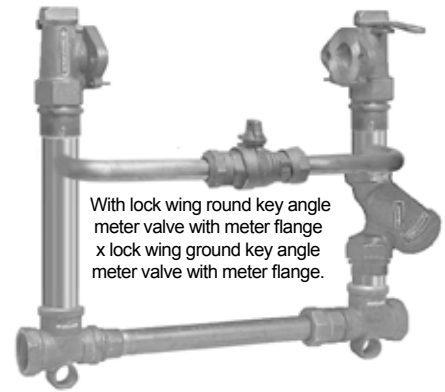
FIP end inlets and outlets



With lock wing ground key angle meter valve with meter flange x angle dual check valve with meter flange. Check valve in front of bypass valve.

**H-1423-2N**

FIP end inlets and outlets



With lock wing round key angle meter valve with meter flange x lock wing ground key angle meter valve with meter flange.

**H-1423-2-99000N**

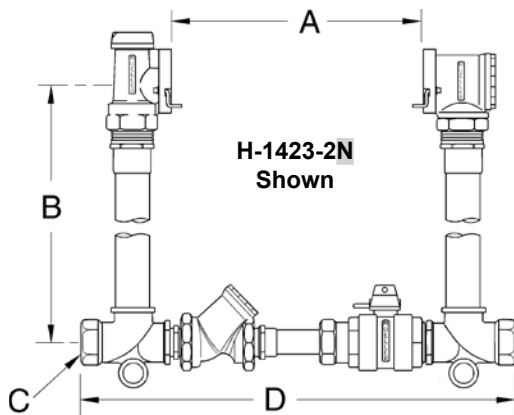
FIP end inlets and outlets

Shown with check valve in optional location

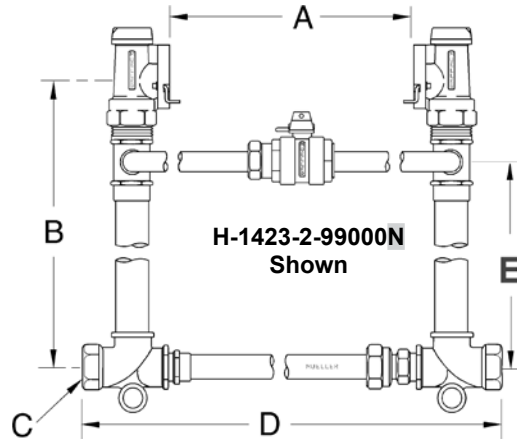
### 1-1/2" and 2" Copper meter setters (with by-pass)

Catalog number	H-1423N	H-1423-2N/H-1423-2-01N*	B1423-99000N/H-1423-2-99000N
Description	With lock wing ground key angle meter valve with meter flange x lock wing ground key angle meter valve with meter flange. By-pass with lock wing Mueller® Ball Valve	With lock wing ground key angle meter valve with meter flange x angle dual check valve with meter flange. By-pass with lock wing Mueller Ball Valve and check valve (without by-pass check valve: H-1423-2-01N)	With lock wing ground key angle meter valve with meter flange x lock wing ground key valve with meter flange. Elevated by-pass with Mueller Ball Valve with lock device (with check valve: H-1423-2-99000N)

\*For ASSE Approved canister dual check - add 6A for regular or 6D for drain



**H-1423-2N**  
Shown



**H-1423-2-99000N**  
Shown

### Dimensions

Meter Sizes	1-1/2" H-1423N, H-1423-2N, and H-1423-2-01N	2" H-1423N, H-1423-2N, and H-1423-2-01N	1-1/2" H-1423-99000N and H-1423-2-99000N	2" H-1423-99000N and H-1423-2-99000N
A*	13.25"	17.25"	13.25"	17.25"
B - riser height	12", 15", 18", 21", 24", and 27"	12", 15", 18", 21", 24", and 27"	18", 21", 24", and 27"	18", 21", 24", and 27"
C - nominal pipe size of inlet and outlet	1-1/2"	2"	1-1/2"	2"
D*	21.50"	26.63"	21.50"	26.63"
E	-	-	7.25"	7.25"

\*Adjustable dimension. Copper tubing in the tie bar can be cut to accommodate shorter meters. Adjustment affects both A and D dimensions.

See section 6 for end connections that can be used with these yokes.

## SPECIFY METER SIZE, RISER HEIGHT AND CATALOG NUMBER.

MUELLER Copper Meter Yokes are manufactured and tested in accordance with ANSI/AWWA C800. Components in contact with potable water will also comply with latest requirements of the Federal Safe Drinking Water Act.