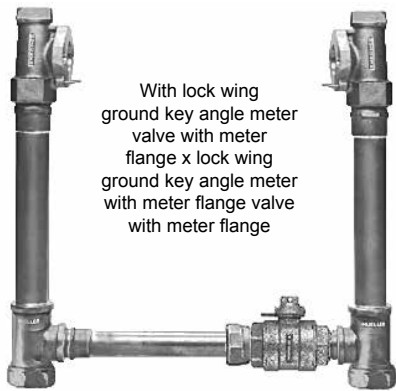


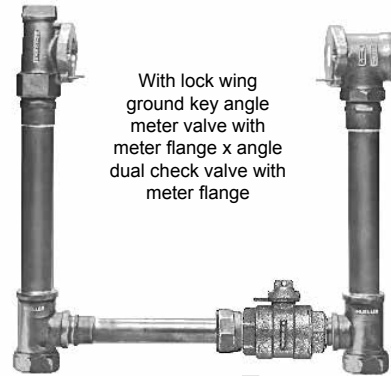
Rev. 4-14 Shaded area indicates change

8A - COPPER YOKES



With lock wing
ground key angle meter
valve with meter
flange x lock wing
ground key angle meter
with meter flange valve
with meter flange

H-1427N
FIP end inlets
and outlets



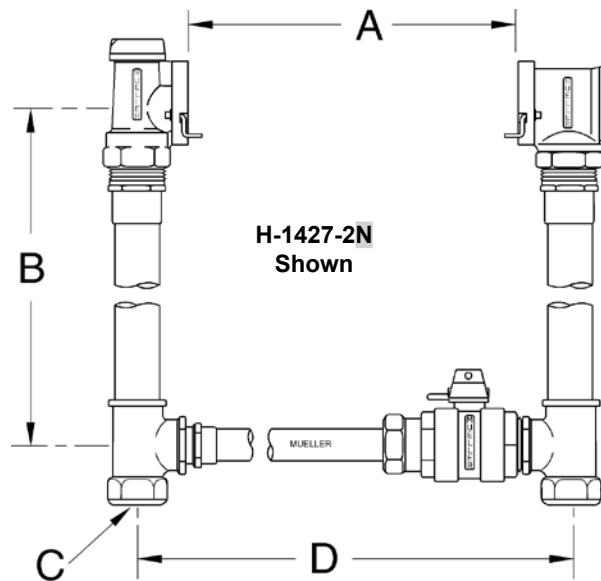
With lock wing
ground key angle
meter valve with
meter flange x angle
dual check valve with
meter flange

H-1427-2N
FIP end inlets
and outlets

1-1/2" and 2" Copper meter setters (with by-pass)*

Catalog number	H-1427N	H-1427-2*
Description	With lock wing ground key angle meter valve with meter flange x lock wing ground key angle meter valve with meter flange. By-pass with lock wing Mueller 300 Ball Valve.	With lock wing ground key angle meter valve with meter flange x angle dual check valve with meter flange. By-pass with lock wing Mueller 300 Ball Valve.

*For ASSE Approved canister dual check - add 6A for regular or 6D for drain



Dimensions

Meter Sizes	1-1/2"	2"
A	13.25"	17.25"
B - riser height	12", 15", 18", 21", 24", and 27"	12", 15", 18", 21", 24", and 27"
C - nominal pipe size of inlet and outlet	1-1/2"	2"
D	17.625"	21.625"

Contact MUELLER® Customer Service Center for ordering requirements and availability.

See section 6 for end connections that can be used with these yokes.

SPECIFY METER SIZE, RISER HEIGHT AND CATALOG NUMBER.

MUELLER Copper Meter Yokes are manufactured and tested in accordance with ANSI/AWWA C800. Components in contact with potable water will also comply with latest requirements of the Federal Safe Drinking Water Act.