

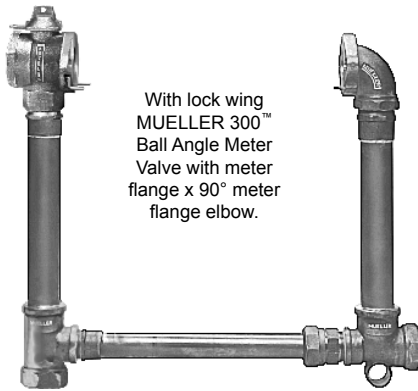
# METER SETTERS WITH VERTICAL INLET & OUTLET HORIZONTAL (FOR 1-1/2" & 2" FLANGED METERS)



# 8A.41

Shaded area indicates change Rev. 4-14

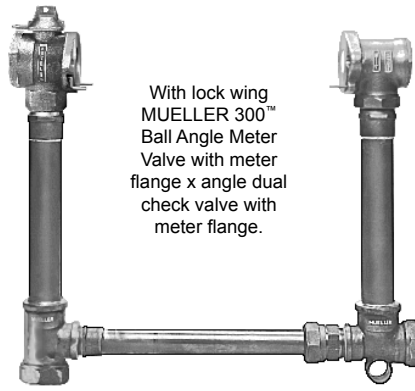
8A - COPPER YOKES



With lock wing  
MUELLER 300™  
Ball Angle Meter  
Valve with meter  
flange x 90° meter  
flange elbow.

**B-2428N**

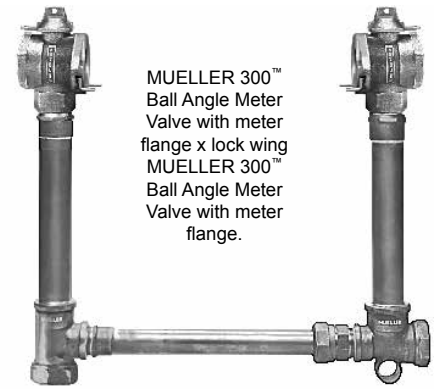
FIP end inlets  
and outlets



With lock wing  
MUELLER 300™  
Ball Angle Meter  
Valve with meter  
flange x angle dual  
check valve with  
meter flange.

**B-2428-2N**

FIP end inlets  
and outlets



MUELLER 300™  
Ball Angle Meter  
Valve with meter  
flange x lock wing  
MUELLER 300™  
Ball Angle Meter  
Valve with meter  
flange.

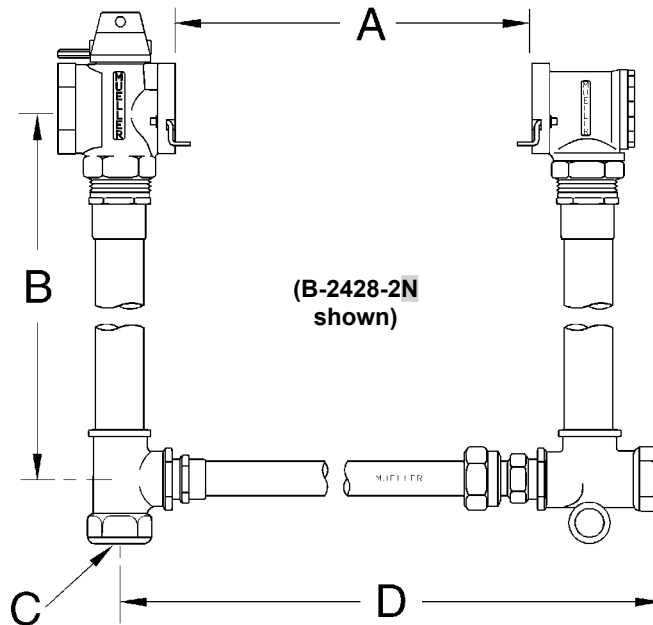
**B-2428-00N**

FIP end inlets  
and outlets

## 1-1/2" and 2" Copper meter setters

Catalog number	B-2428N	B-2428-2N*	B-2428-00N
Description	With lock wing Mueller 300 Ball Angle Meter Valve x 90° meter flange elbow.	With lock wing Mueller 300 Ball Angle Meter Valve x angle dual check valve with meter flange.	With lock wing Mueller 300 Ball Angle Meter Valve x lock wing Mueller 300 Ball Angle Meter Valve.

\*For ASSE Approved canister dual check - add 6A for regular or 6D for drain



## Dimensions

Meter Sizes	1-1/2"	2"
A	13.25"	17.25"
B - riser height	12", 15", 18", 21", 24", and 27"	12", 15", 18", 21", 24", and 27"
C - nominal pipe size of inlet and outlet	1-1/2"	2"
D	19.187"	24.125"

Contact MUELLER Customer Service Center for ordering requirements and availability.

See section 6 for end connections that can be used with these yokes.

## SPECIFY METER SIZE, RISER HEIGHT AND CATALOG NUMBER.

MUELLER Copper Meter Yokes are manufactured and tested in accordance with ANSI/AWWA C800. Components in contact with potable water will also comply with latest requirements of the Federal Safe Drinking Water Act.