

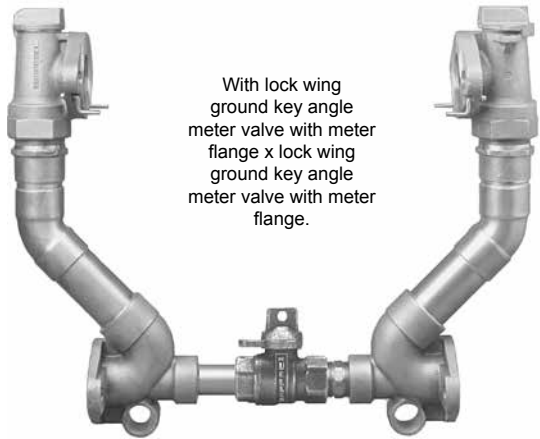
8A.46



METER RESETTERS WITH HORIZONTAL INLET AND OUTLET AND BYPASS (FOR 2" FLANGED METERS)

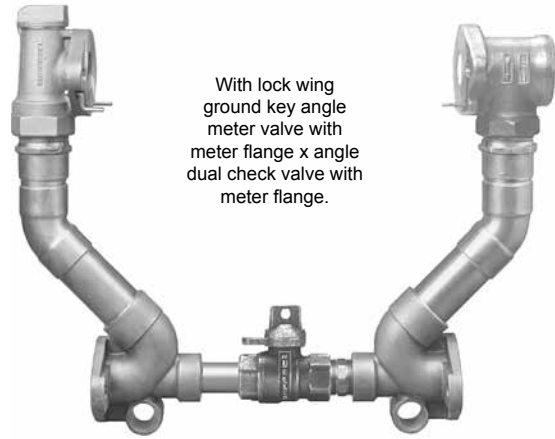
Rev. 4-14 Shaded area indicates change

8A - COPPER YOKES



With lock wing ground key angle meter valve with meter flange x lock wing ground key angle meter valve with meter flange.

H-1425N



With lock wing ground key angle meter valve with meter flange x angle dual check valve with meter flange.

H-1425-2N

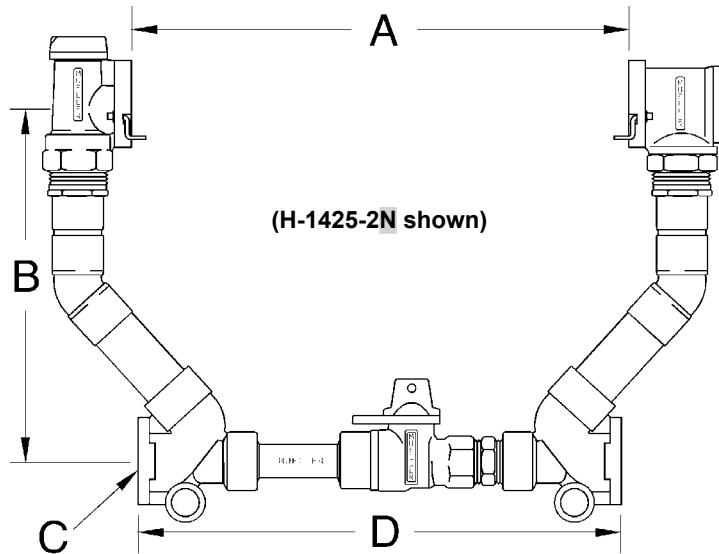
Meter flange end inlets and outlets

1-1/2" Copper meter resetters (with by-pass)

Catalog number	H-1245N	H-1245-2N*
Description	With lock wing ground key angle meter valve with meter flange x ground key angle meter valve with meter flange. By-pass with lock wing Mueller® 300™ Ball Valve.	With lock wing ground key angle meter valve with meter flange x angle dual check valve with meter flange. By-pass with lock wing Mueller® 300™ Ball Valve.

NOTE: 1-1/2" Available only with elevated by-pass

*For ASSE Approved canister dual check - add 6A for regular or 6D for drain



Dimensions

Meter Sizes	1-1/2"	2"
A	13.25"	17.25"
B - riser height	14", 15", 18", 21", 24", and 27"	14", 15", 18", 21", 24", and 27"
C - nominal pipe size of inlet and outlet	1-1/2"	2"
D	13"	17"

Contact MUELLER® Customer Service Center for ordering requirements and availability.

SPECIFY METER SIZE, RISER HEIGHT AND CATALOG NUMBER.

MUELLER Copper Meter Yokes are manufactured and tested in accordance with ANSI/AWWA C800. Components in contact with potable water will also comply with latest requirements of the Federal Safe Drinking Water Act.