

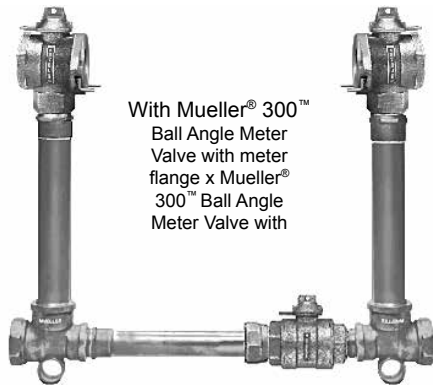
# COPPER METER YOKES WITH HORIZONTAL INLET & OUTLET (FOR 1-1/2" & 2" FLANGED METERS) AND BY-PASS

**Mueller Co.**

**8A.35**

Shaded area indicates change Rev. 1-15

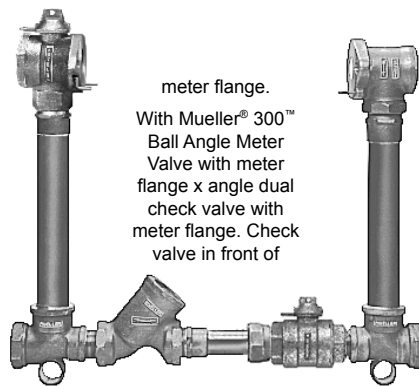
8A - COPPER YOKES



With Mueller® 300™ Ball Angle Meter Valve with meter flange x Mueller® 300™ Ball Angle Meter Valve with

**B-2423N**

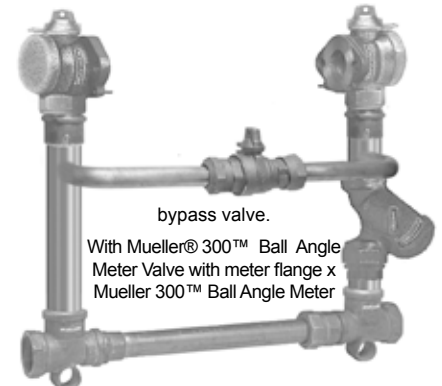
FIP end inlets and outlets



meter flange. With Mueller® 300™ Ball Angle Meter Valve with meter flange x angle dual check valve with meter flange. Check valve in front of

**B-2423-2N**

FIP end inlets and outlets



bypass valve. With Mueller® 300™ Ball Angle Meter Valve with meter flange x Mueller 300™ Ball Angle Meter

**B-2423-2-99000N**

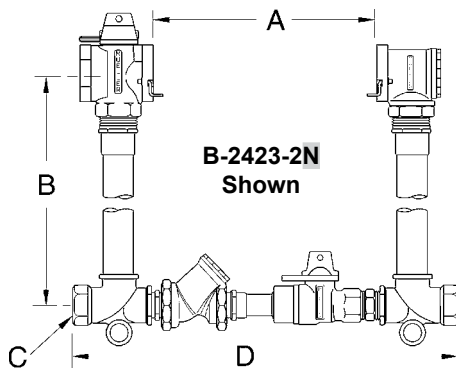
FIP end inlets and outlets

Valve with meter flange. shown with check valve in optional location

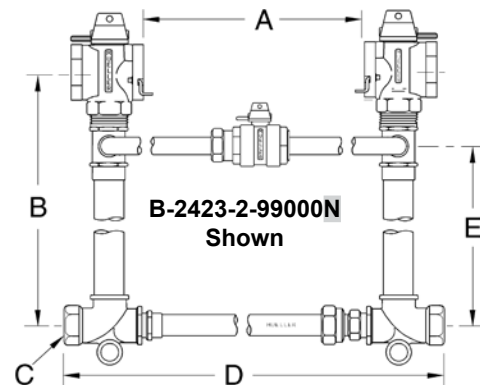
## 1-1/2" and 2" Copper meter setters (with by-pass)

| Catalog number | B-2423N   | B-2423-2N/B-2423-2-01N*   | B2423-99000N/B-2423-2-99000N   |
|----------------|---|---|--|
| Description    | With lock MUELLER® 300™ Ball Angle Meter Valve with meter flange x lock wing ball angle meter valve with meter flange. By-pass with lock wing Mueller® Ball Valve | With lock MUELLER® 300™ Ball Angle Meter Valve with meter flange x angle dual check valve with meter flange. By-pass with lock wing Mueller® Ball Valve and check valve (without by-pass check valve: B-1423-2-01). | With lock MUELLER® 300™ Ball Angle Meter Valve with meter flange x lock wing ball valve with meter flange. Elevated by-pass with Mueller® Ball Valve with locking device (with check valve: B-1423-2-99000). |

\*For ASSE Approved canister dual check - add 6A for regular or 6D for drain



**B-2423-2N Shown**



**B-2423-2-99000N Shown**

## Dimensions

| Meter Sizes                               | 1-1/2" B-2423N, B-2423-2N, and B-2423-2-01N | 2" B-2423N, B-2423-2N, and B-2423-2-01N | 1-1/2" B-2423-99000N and B-2423-2-99000N | 2" B-2423-99000N and B-2423-2-99000N |
|---|---|---|--|--------------------------------------|
| A*  | 13.25"                                      | 17.25"                                  | 13.25"                                   | 17.25"                               |
| B - riser height                          | 12", 15", 18", 21", 24", and 27"            | 12", 15", 18", 21", 24", and 27"        | 18", 21", 24", and 27"                   | 18", 21", 24", and 27"               |
| C - nominal pipe size of inlet and outlet | 1-1/2"                                      | 2"                                      | 1-1/2"                                   | 2"                                   |
| D*  | 21.50"                                      | 26.63"                                  | 21.50"                                   | 26.63"                               |
| E   | -   | -                                       | 7.25"                                    | 7.25"                                |

\*Adjustable dimension. Copper tubing in the tie bar can be cut to accommodate shorter meters. Adjustment affects both A and D dimensions.

See section 6 for end connections that can be used with these yokes.

## SPECIFY METER SIZE, RISER HEIGHT AND CATALOG NUMBER.

MUELLER Copper Meter Yokes are manufactured and tested in accordance with ANSI/AWWA C800. Components in contact with potable water will also comply with latest requirements of the Federal Safe Drinking Water Act.