

MUELLER® THERMAL-COIL® METER BOX



8F.1

Shaded area indicates change Rev. 4-14



The MUELLER THERMAL-COIL Meter Box provides a means to allow a meter to be read and maintained even though it is set deep in the ground to resist freezing. The THERMAL-COIL Meter Box is designed with the meter installed on a platform that normally sets near the bottom of the box where the ground temperature keeps it warmer. The meter and platform are connected to the service line by coils of polybutylene tubing which allow the meter and platform to be raised to the surface.

The body of the meter box is made from rigid PVC which has a high insulating "R" value to resist frost bridging" inside the box. For extremely cold climates, an optional insulating pad is available which traps the relatively warm air rising from the earth inside the box.

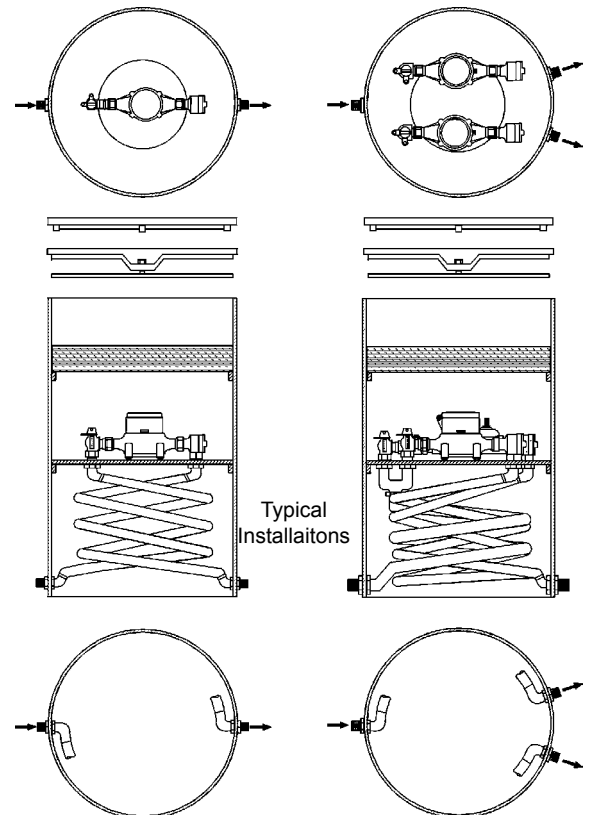
MUELLER THERMAL-COIL Meter Boxes are shipped fully assembled, ready for meter installation. Their light weight saves shipping costs and makes installation a one man job in most cases. Every box is factory tested and has a 150 psig maximum working pressure rating.

MUELLER THERMAL-COIL Meter Boxes are available for 5/8" to 1" meters. A wide variety of end connections, control valves, box depths, lids and other options provide you with the meter set you need. Due to the almost endless combination of features available, each box is custom built to your specifications. See page 8F.2 for options and ordering instructions.

Manufactured under one or more of the following: U.S. Patent No. 4,614,113; 4,813,281

MUELLER THERMAL-COIL Meter Box Features

- Rigid .300 minimum wall PVC material holds shape and resists frost bridging
- Optional insulation pad traps earth's heat to prevent freezing in extremely cold climates
- White interior aids visibility
- Meter set is anchored to moveable platform to maintain alignment and stability
- Platform support and reinforcing ring add rigidity to box
- Poly coil tubing provides low friction loss equivalent to a typical conventional meter set of the same size and depth
- Male I.P. thread inlet and outlet connections accept a variety of MUELLER Service Fittings--see section 6
- Optional aluminum bottom available
- Large selection of optional lids



MUELLER Valves and Couplings used in these meter box assemblies are manufactured and tested in accordance with ANSI/AWWA C800. Components in contact with potable water will also comply with latest requirements of the Federal Safe Drinking Water Act.