

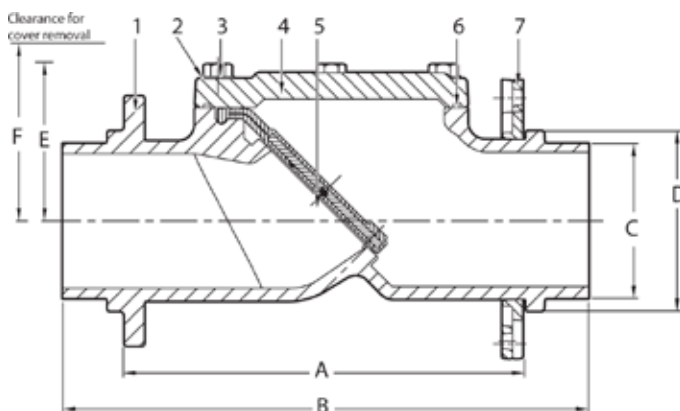
MUELLER® SA-SERIES CHECK VALVE

- Catalog number - 0600-850M-0**
- Size – 6"
- Ductile iron body and cover
- 100% unobstructed flow path
- Inherent non-slam, quiet operation
- Bubble-tight shut off, without backflow
- Swivel MJ gland on one end aids pipe or valve alignment
- Epoxy coated interior and exterior
- Stainless steel bolts
- Domed bonnet for easy inspection of flexible disc and seat
- Rated at 250 psi (1725 kPa/17 barg)



Check Valve Parts

Part Number	Description	Material	Material Standard
1	Body	Ductile Iron	ASTM A536
2	Washer	Stainless Steel	A276 Type 304
3	Cover Bolt	Stainless Steel	A276 Type 304
4	Cover	Ductile Iron	ASTM A536
5	Disc	Ductile Iron and EPDM	ASTM 536 and D2000
6	O-ring	Rubber	ASTM D2000
7	Swivel Flange	Ductile Iron	ASTM A536



Dimensions**

Valve Size*	A	B	C	D	E	F	Weight**
6"	17.63"	24.50"	6.90"	8.02"	6.81"	11.00"	175

*Nominal

**All dimensions are in inches. All weights are in pounds and are approximate.