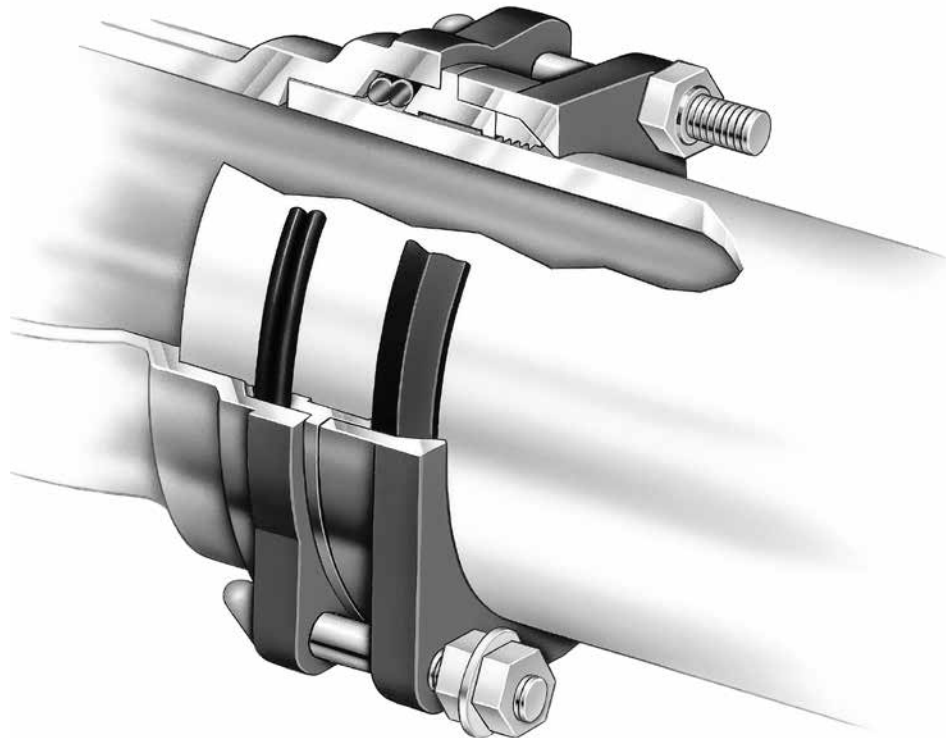


MUELLER AquaGrip System

The MUELLER AquaGrip System includes both the compression connection and the restraint system in one convenient, quick installation package. This eliminates the need for anchor couplings, tie rods or separate gland-type restraints. The AquaGrip system is available exclusively from Mueller on Centurion Fire Hydrants and 2300 Series Resilient Wedge Valves.



- ❑ **TWO STYLES:**
DIPS fits DI, C900 PVC and DIPS PE pipe. IPS fits PVC, IPS PE. No special pipe end preparation. PE pipe CDR9-DR17 requires a liner.
- ❑ **PRESSURE RESPONSIVE O-RING SEAL** - unique double O-ring uses hydrostatic pressure from inside the pipe to enhance the seal as line pressure increases.
- ❑ **VISUALLY SHOWS WHEN PROPERLY TIGHTENED** - breakaway nuts snap off using a standard wrench. No special torque requirements. Inner nut remains in place to allow future access to connection, if required. (Lower nut shown before tightening; upper one.)
- ❑ **FULLY ASSEMBLED STAB CONNECTION** - insert the pipe and tighten the bolts. No need to change-out, add or remove parts. Nothing additional to inventory or handle in the field. No extra bolts to assemble or tighten.
- ❑ **NO POINT LOADING OF PIPE** - gripper ring encircles pipe for uniform grip without creating points of high stress in pipe wall that could contribute to pipe failure.
- ❑ **INSTALLS IN WET CONDITIONS** - no special field conditions required, even installs under water.