

# MUELLER® MODERN CENTURION® FIRE HYDRANT PARTS

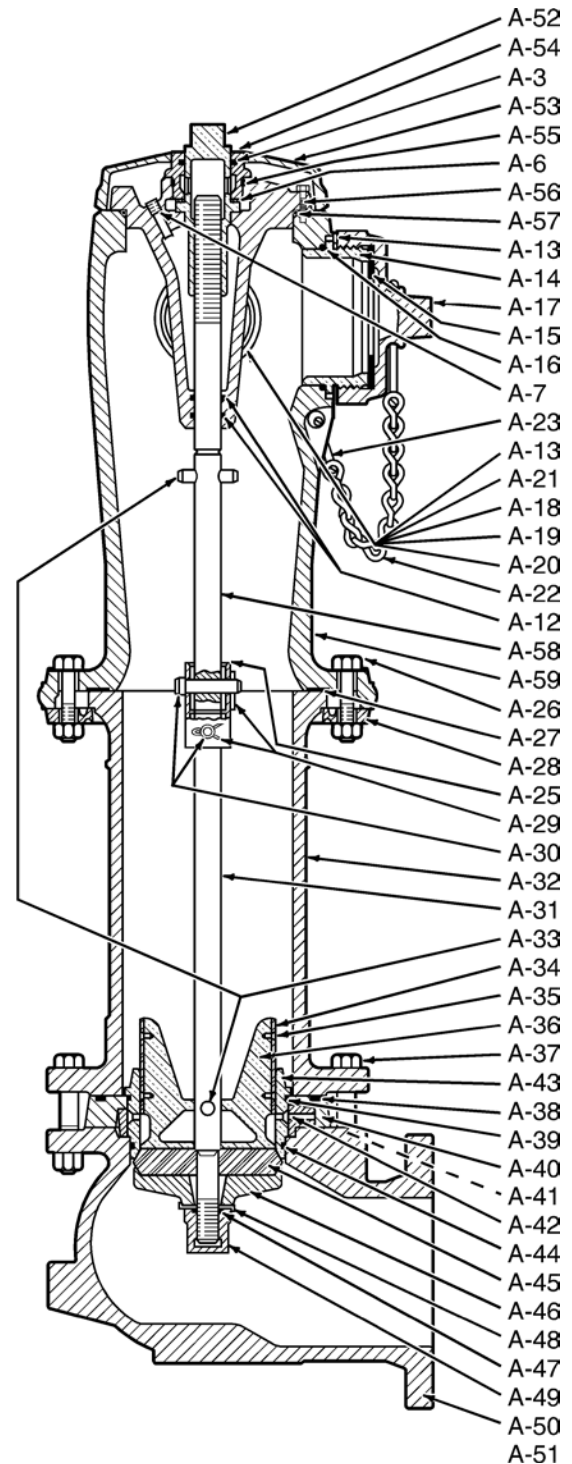
**Mueller Co.**

**9.13**

Shaded area indicates changes Rev. 4-14

## MUELLER Super Centurion Fire Hydrant Parts

Catalog Part No.	Description	Material	Material Standard
A-3	Hold Down Nut O-ring	Rubber	ASTM D2000 - BUNA N
A-5	Bonnet O-ring	Rubber	ASTM D2000 - BUNA N
A-6	Anti-friction Washer	Acetal	-
A-7	Oil Plug	Brass	ASTM B16
A-12	Stem O-ring	Rubber	ASTM D2000 - BUNA N
A-13	Nozzle Lock	Stainless Steel	ASTM A276
A-14	Pumper Nozzle	Bronze	ASTM B584
A-15	Pumper Nozzle Gasket	Rubber	ASTM D2000 - Neoprene
A-16	Pumper Nozzle O-ring	Rubber	ASTM D2000 - BUNA N
A-17	Pumper Nozzle Cap	Cast Iron	ASTM A126 CL.B
A-18	Hose Nozzle	Bronze	ASTM B584
A-19	Hose Nozzle Gasket	Rubber	ASTM D2000 - Neoprene
A-20	Hose Nozzle O-ring	Rubber	ASTM D2000 - BUNA N
A-21	Hose Nozzle Cap	Cast Iron	ASTM A126 CL.B
A-22	Cap Chain	Steel	Plated
A-23	Chain Ring	Steel	Plated
A-25	Safety Coupling	Stainless Steel	ASTM A890
A-26	Safety Flange Bolt and Nut	Steel***	SAE J429 Grade 2
A-27	Safety Flange O-ring (1997 and newer models; pre-1997 models have a flat gasket)	Rubber	ASTM D2000 BUNA-N
A-28	Safety Flange	Cast Iron	ASTM A126 CL.B
A-29	Cotter Pin	Stainless Steel	ASTM A276
A-30	Clevis Pin	Stainless Steel	ASTM A276
A-31	Lower Stem	Steel	ASTM A576 Grade 1117
A-32	Lower Barrel	Cast Iron	ASTM A126 CL.B
A-33	Stem Pen	Stainless Steel	ASTM A276
A-34	Drain Valve Facing	Plastic	-
A-35	Drain Valve Screw	Stainless Steel	ASTM A276
A-36	Upper Valve Plate (includes A-34 and A-35)	Bronze	ASTM B584
A-37	Shoe Bolt and Nut	Steel***	SAE J429 Grade 2
A-38	Drain Ring Housing O-ring (1997 and newer models; pre-1997 models have a square gasket)	Rubber	ASTM D2000 - BUNA N
A-39	Seat Ring Top O-ring	Rubber	ASTM D2000 - BUNA N
A-40	Drain Ring Housing	Cast Iron	ASTM A126 CL.B
A-41	Drain Ring Housing Bolt and Nut (not shown - used only on pre-1997 model hydrants)	Steel	ASTM A307 Plated
A-42	Drain Ring	Bronze	ASTM B584
A-43	Seat Ring	Bronze	ASTM B584
A-44	Seat Ring Bottom O-ring	Rubber	ASTM D2000 - BUNA N
A-45	Reversible Main Valve* (1997 and newer models only; pre-1997 models use reversible main valve and lower valve plate - not shown)	Rubber	ASTM D2000 - SBR
A-46	Lower Valve Plate (1997 and newer models for reversible main valve; pre-1997 models have non-reversible main valve - not shown)	Cast Iron	ASTM A126 CL.B
A-47	Cap Nut Seal	Rubber	ASTM D2000 - Natural
A-48	Lock Washer	Stainless Steel	ASTM A276
A-49	Lower Valve Plate Nut	Cast Iron	ASTM A126 CL.B
A-50	Shoe**	Cast Iron	ASTM A536
A-51	10.5 oz. Hydrant Lubricating Oil (not shown)	-	-
A-52	Operating Nut	Bronze	ASTM B584
A-53	Weather Cap	Cast Iron	ASTM A126 CL.B
A-54	Hold Down Nut	Bronze	ASTM B584
A-55	Housing	Cast Iron	ASTM A126 CL.B
A-56	Housing Bolt	Steel	SAE J429 Grade 2
A-57	Top Housing O-ring	Rubber	ASTM D2000 - BUNA N
A-58	Upper Stem	Steel	ASTM A576 Gade 1117
A-59	Upper Barrel Less Nozzles	Cast Iron	ASTM A126 CL.B



\* Pre-1997 models may be upgraded to use the reversible main valve by also replacing the lower valve plate with the 1997 model.

\*\* 6" MJ shoe is Ductile Iron, ASTM A536

\*\*\* Stainless steel Type 304 and 316 available as an option