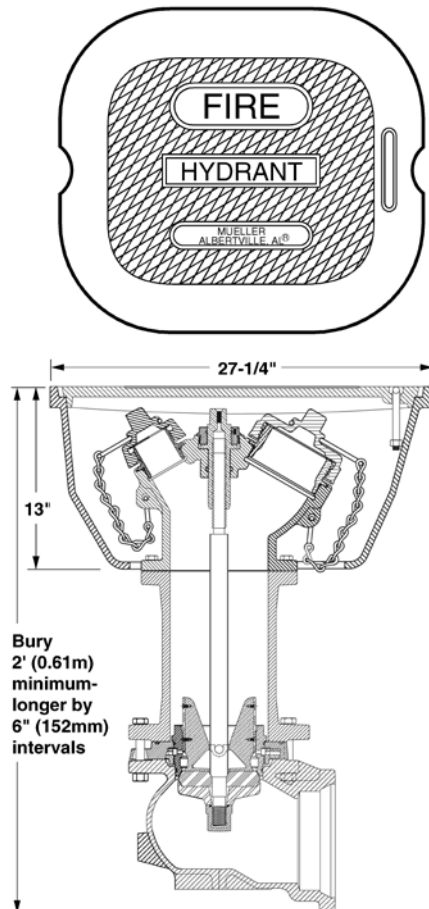


Rev. 4-14 Shaded area indicates changes

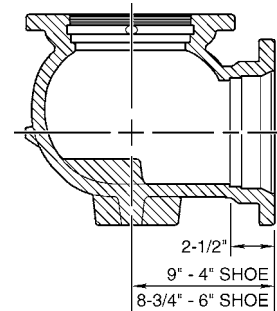
- **Catalog Numbers -**  
**A-415** 5-1/4" main valve opening 3-way (2 hose nozzles and 1 pumper nozzle)
- Meets all applicable parts of ANSI/AWWA C502 Standard
- Flush type dry barrel design
- Cast iron flush box with non-locking lid
- Compression type patented main valve closes with pressure for positive seal; it is made of rubber and is conveniently reversible providing a spare for long service life
- Operating nut available in wide variety of shapes and sizes
- Hose and pumper nozzles have large radius, full flow openings for low friction loss
- Contoured shoe is designed for full flow
- Dual bronze drain valves provide effective barrel drainage
- 250 psig (1725 kPa/17 barg) maximum working pressure, 500 psig (3450 kPa/35 barg) test pressure



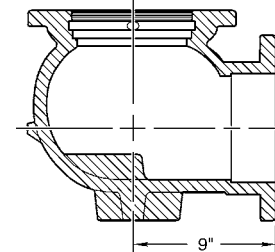
## Dimensions



Mechanical joint - standard and D-150



Flanged



Slip-on

