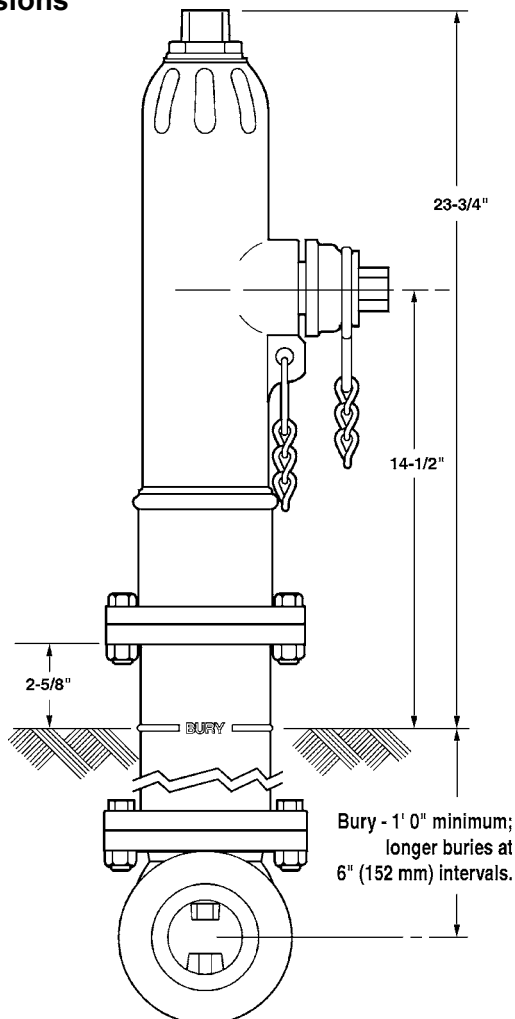


Rev. 4-14 Shaded area indicates changes

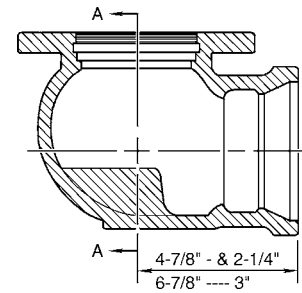
- **Catalog numbers -**  
**A-411** 2-1/8" main valve opening two way (two 2-1/2" hose nozzles)  
**A-411** 2-1/8" main valve opening one way (one 2-1/2" hose nozzle)
- Meets all applicable parts of ANSI/AWWA C502 Standard
- Post type dry barrel design
- Compression type main valve closes with pressure
- Operating nut available in wide variety of shapes and sizes
- Field replaceable hose nozzles
- Hose nozzles have large radius, full flow openings for low friction loss
- Contoured shoe is designed for full flow
- Dual bronze drain valves provide effective barrel drainage
- 150 psig (1000 kPa/10 barg) maximum working pressure, 300psig (2100 kPa/21 bar) test pressure



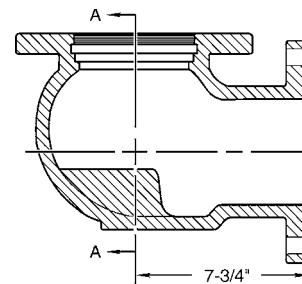
## Dimensions



**2" and 3" Mechanical joint**



**2-1/2" and 3" Flange  
2", 2-1/2", and 3"**



**Threaded**

