

MUELLER® 2-1/8" FLUSH TYPE FIRE HYDRANT

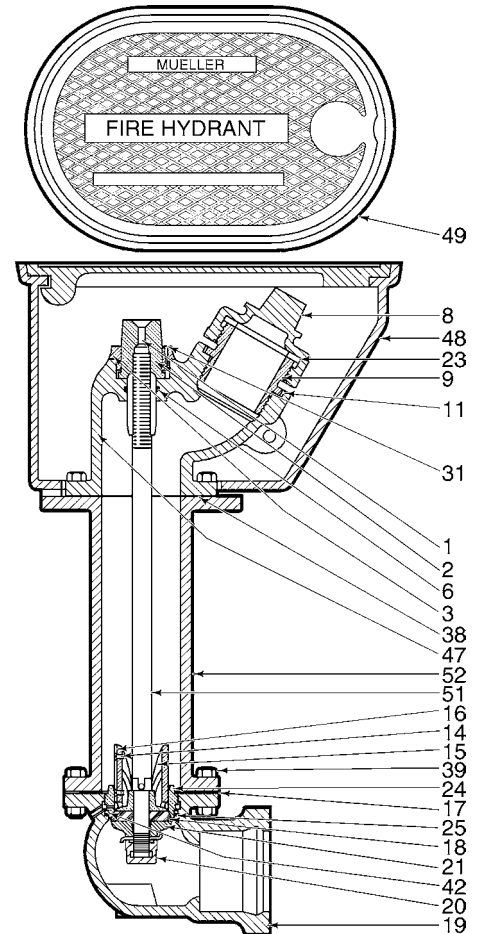
Mueller Co.

9.27


Rev. 4-14

MUELLER Super Centurion Fire Hydrant Parts


| Catalog Part No. | Description | Material | Material Standard |
|------------------|---|-----------------|-----------------------|
| 1 | Oil Screw for Operating Nut | Brass | ASTM B36 |
| 2 | Operating Nut | Bronze | ASTM B584 |
| 3 | Hold Down Nut | Bronze | ASTM B584 |
| 6 | Operating Nut O-ring | Rubber | ASTM D2000 - BUNA N |
| 8 | Hose Nozzle Cap | Cast Iron | ASTM A126 CL.B |
| 9 | Hose Nozzle | Bronze | ASTM B584 |
| 14 | Drain Valve Screw | Stainless Steel | SAE J429 Grade 2 |
| 15 | Upper Valve Plate* | Bronze | ASTM B584 |
| 16 | Drain Valve Facing | Plastic | - |
| 17 | Shoe Gasket | Rubber | ASTM D2000 - BUNA N |
| 18 | Main Valve | Rubber | ASTM D2000 - BUNA N |
| 19 | Shoe | Cast Iron | ASTM A126 CL.B |
| 20 | Valve Plate Nut (for use on pre1986 models; 1986 models and newer use numbers 43, 44, and 45) | Bronze | ASTM B584 |
| 21 | Lower Valve Plate | Cast Iron | ASTM A126 CL.B |
| 23 | Hose Nozzle Gasket | Rubber | ASTM D2000 - Neoprene |
| 24 | Seat Ring | Bronze | ASTM B584 |
| 25 | Seat Ring Gasket | Copper | ASTM B372 |
| 31 | Oil Screw | Brass | ASTM B36 |
| 38 | Barrel Flange Gasket | Rubber | ASTM D2000 - BUNA N |
| 39 | Shoe Bolt and Nut | Steel | ASTM A307 Plated |
| 42 | O-ring | Rubber | ASTM D2000 - BUNA N |
| 44 | Valve Nut Washer (used with numbers 43 and 45 - not shown) | Stainless Steel | ASTM A276 |
| 45 | Valve Nut Seal (used with numbers 43 and 44 - not shown) | Rubber | ASTM D2000 - BUNA N |
| 46 | Nozzle Lock | Stainless Steel | ASTM A276 |
| 47 | Upper Barrel | Cast Iron | ASTM A126 CL.B |
| 48 | Flush Box | Cast Iron | ASTM A126 CL.B |
| 49 | Flush Box Lid (non-locking) | Cast Iron | ASTM A126 CL.B |
| 50 | Cap Screw | Steel | Electro Galvanized |
| 51 | Stem | Steel | ASTM A576 GR.B |
| 52 | Lower Barrel | Cast Iron | ASTM A126 CL.B |



* Includes items #14 and #16. For pre-1986 models refer to parts drawing on page 9.35.




A-313 Operating wrench - operates nozzle caps, pin and lug type hose couplings, hydrant operating nut and hold down nut.



A-344 Seat wrench - Adjustable, used to remove main valve and seat ring from ground line level.



A-316 Nozzle wrench - Used to remove and install threaded in hose and pumper nozzles.



A-317 Nozzle lock installation tool - Used to install nozzle locking device.