

MUELLER® SUPER CENTURION® FIRE HYDRANT PARTS

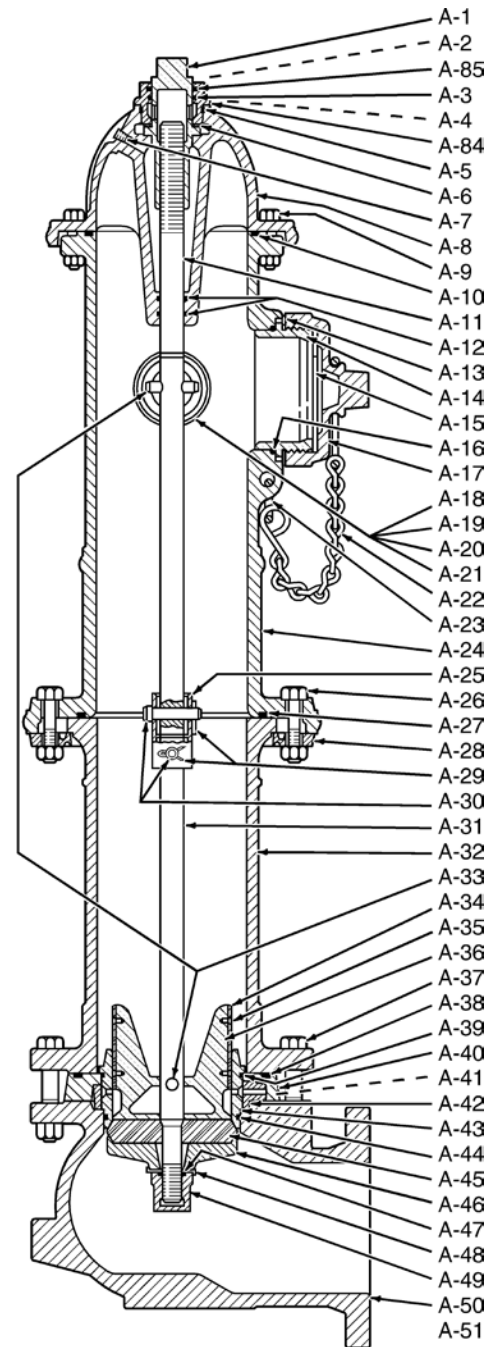


9.7

Shaded area indicates changes Rev. 4-14

MUELLER Super Centurion Fire Hydrant Parts

Catalog Part Number	Description	Material	Material Standard
A-1	Operating Nut	Bronze	ASTM B584
A-2	Weather Cap (not shown - used only on pre-1988 models)	Cast Iron	ASTM A126 CL.B
A-3	Hold Down Nut O-ring	Rubber	ASTM D2000 - BUNA N
A-4	Hold Down Nut (not shown - used only on pre-1998 models)	Bronze	ASTM B584
A-5	Bonnet O-ring	Rubber	ASTM D2000 - BUNA N
A-6****	Anti-friction Washer	Acetal	-
A-7	Oil Plug	Brass	ASTM B16
A-8	Bonnet	Cast Iron	ASTM A126 CL.B
A-9	Bonnet Bolt and Nut	Steel	SAE J429 Grade 2*****
A-10	Bonnet O-ring (1997 and newer 3-way models; all pre-1997 models and 1-way and 2-way models have flat gasket)	Rubber	ASTM D2000 - BUNA N
A-11	Upper Stem	Steel	ASTM A576 GR.B
A-12	Stem O-ring	Rubber	ASTM D2000 - BUNA N
A-13	Nozzle Lock	Stainless Steel	ASTM A276
A-14	Pumper Nozzle	Bronze	ASTM B584
A-15	Pumper Nozzle Gasket	Rubber	ASTM D2000 - Neoprene
A-16	Pumper Nozzle O-ring	Rubber	ASTM D2000 - BUNA N
A-17	Pumper Nozzle Cap	Cast Iron	ASTM A126 CL.B
A-18	Hose Nozzle	Bronze	ASTM B584
A-19	Hose Nozzle Gasket	Rubber	ASTM D2000 - Neoprene
A-20	Hose Nozzle O-ring	Rubber	ASTM D2000 - BUNA N
A-21	Hose Nozzle Cap	Cast Iron	ASTM A126 CL.B
A-22	Cap Chain	Steel	Plated
A-23	Chain Ring	Steel	Plated
A-24	Upper Barrel Less Nozzles	Cast Iron	ASTM A126 CL.B
A-25	Safety Coupling	Stainless Steel	ASTM A890
A-26	Safety Flange Bolt and Nut	Steel***	SAE J429 Grade 2*****
A-27	Safety Flange O-ring (1997 and newer models; pre-1997 models have a flat gasket)	Rubber	ASTM D2000 - BUNA N
A-28	Safety Flange	Cast Iron	ASTM A126 CL.B
A-29	Cotter Pin	Stainless Steel	ASTM A276
A-30	Clevis Pin	Stainless Steel	ASTM A276
A-31	Lower Stem	Steel	ASTM A576 GR.B
A-32	Lower Barrel	Cast Iron	ASTM A126 CL.B
A-33	Stem Pen	Stainless Steel	ASTMA276
A-34	Drain Valve Facing	Plastic	-
A-35	Drain Valve Screw	Stainless Steel	ASTM A276
A-36	Upper Valve Plate (includes A-34 and A-35)	Bronze	ASTM B584
A-37	Shoe Bolt and Nut	Steel***	SAE J429 Grade 2*****
A-38	Drain Ring Housing O-ring (1997 and newer models; pre-1997 models have a square gasket)	Rubber	ASTM D2000 - BUNA N
A-39	Seat Ring Top O-ring	Rubber	ASTM D2000 - BUNA N
A-40	Drain Ring Housing	Cast Iron	ASTM A126 CL.B
A-41	Drain Ring Housing Bolt and Nut (not shown - used only on pre-1997 model hydrants)	Steel	ASTMA307 Plated
A-42	Drain Ring	Bronze	ASTM B584
A-43	Seat Ring	Bronze	ASTM B584
A-44	Seat Ring Bottom O-ring	Rubber	ASTM D2000 - BUNA N
A-45*****	Reversible Main Valve* (1997 and newer models only; pre-1997 models use reversible main valve and lower valve plate - not shown)	Rubber	ASTM D2000 - SBR
A-46	Lower Valve Plate (1997 and newer models for reversible main valve; pre-1997 models have non-reversible main valve - not shown)	Cast Iron	ASTM A126 CL.B
A-47	Cap Nut Seal	Rubber	ASTM D2000 - Natural
A-48	Lock Washer	Stainless Steel	ASTM A276
A-49	Lower Valve Plate Nut	Cast Iron	ASTM A126 CL.B
A-50	Shoe**	Cast Iron	ASTM A536
A-84	Hold Down Nut	Bronze	ASTM B584
A-85	Weather Seal	Rubber	ASTM D2000 - EPDM
A-51	10.5 ounce Hydrant Lubricating Oil	-	-



* Pre-1997 models may be upgraded to use the reversible main valve by also replacing the lower valve plate with the 1997 model.

** 6" MJ shoe is Ductile Iron, ASTM A536

*** Stainless steel Type 304 and 316 available as an option

**** For 350 psig option, A-6 is a roller thrust bearing, Steel.

***** For 350 psig option, A-45 is Rubber ASTM D2000 reinforced Cast Iron ASTM A126 CL.B

***** For 350 psig option, A-9, 27, and 37 are Steel SAE J429 Grade 5