

MUELLER® SUPER CENTURION® FIRE HYDRANT WITH AQUAGRIP™ SYSTEM

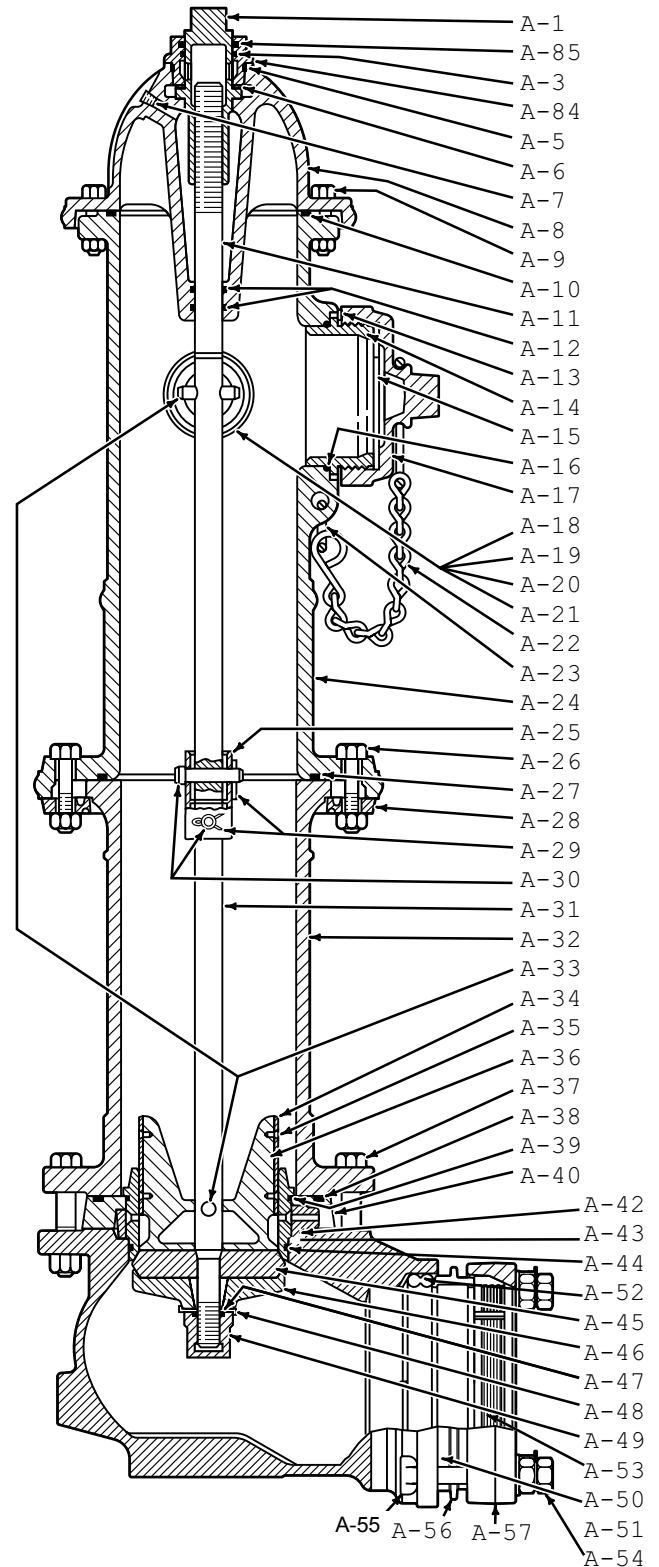


9.9

Shaded area indicates changes Rev. 4-14

MUELLER Super Centurion Fire Hydrant Parts

Catalog Part No.	Description	Material	Material Standard
A-1	Operating Nut	Bronze	ASTM B584
A-3	Hold Down Nut O-ring	Rubber	ASTM D2000 - BUNA N
A-5	Bonnet O-ring	Rubber	ASTM D2000 - BUNA N
A-6	Anti-friction Washer	Acetal	-
A-7	Oil Plug	Brass	ASTM B16
A-8	Bonnet	Cast Iron	ASTM A126 CL.B
A-9	Bonnet Bolt and Nut	Steel	SAE J429 Grade 2
A-10	Bonnet O-ring	Rubber	ASTM D2000 - BUNA N
A-11	Upper Stem	Steel	ASTM A576 GR.B
A-12	Stem O-ring	Rubber	ASTM D2000 - BUNA N
A-13	Nozzle Lock	Stainless Steel	ASTM A276
A-14	Pumper Nozzle	Bronze	ASTM B584
A-15	Pumper Nozzle Gasket	Rubber	ASTM D2000 - Neoprene
A-16	Pumper Nozzle O-ring	Rubber	ASTM D2000 - BUNA N
A-17	Pumper Nozzle Cap	Cast Iron	ASTM A126 CL.B
A-18	Hose Nozzle	Bronze	ASTM B584
A-19	Hose Nozzle Gasket	Rubber	ASTM D2000 - Neoprene
A-20	Hose Nozzle O-ring	Rubber	ASTM D2000 - BUNA N
A-21	Hose Nozzle Cap	Cast Iron	ASTM A126 CL.B
A-22	Cap Chain	Steel	Plated
A-23	Chain Ring	Steel	Plated
A-24	Upper Barrel Less Nozzles	Cast Iron	ASTM A126 CL.B
A-25	Safety Coupling	Stainless Steel	ASTM A890
A-26	Safety Flange Bolt and Nut	Steel*	SAE J429 Grade 2
A-27	Safety Flange O-ring	Rubber	ASTM D2000 - BUNA N
A-28	Safety Flange	Cast Iron	ASTM A126 CL.B
A-29	Cotter Pin	Stainless Steel	ASTM A276
A-30	Clevis Pin	Stainless Steel	ASTM A276
A-31	Lower Stem	Steel	ASTM A576 GR.B
A-32	Lower Barrel	Cast Iron	ASTM A126 CL.B
A-33	Stem Pen	Stainless Steel	ASTM A276
A-34	Drain Valve Facing	Plastic	-
A-35	Drain Valve Screw	Stainless Steel	ASTM A276
A-36	Upper Valve Plate (includes A-34 and A-35)	Bronze	ASTM B584
A-37	Shoe Bolt and Nut	Steel*	SAE J429 Grade 2
A-38	Drain Ring Housing O-ring	Rubber	SAE J429 Grade 2
A-39	Seat Ring Top O-ring	Rubber	ASTM D2000 - BUNA N
A-40	Drain Ring Housing	Cast Iron	ASTM A126 CL.B
A-41	Drain Ring Housing Bolt and Nut	Steel	SAE J429 Grade 2
A-42	Drain Ring	Bronze	ASTM B584
A-43	Seat Ring	Bronze	ASTM B584
A-44	Seat Ring Bottom O-ring	Rubber	ASTM D2000 - BUNA N
A-45	Reversible Main Valve	Rubber	ASTM D2000 - SBR
A-46	Lower Valve Plate	Cast Iron	ASTM A126 CL.B
A-47	Cap Nut Seal	Rubber	ASTM D2000 - Natural
A-48	Lock Washer	Stainless Steel	ASTM A276
A-49	Lower Valve Plate Nut	Cast Iron	ASTM A126 CL.B
A-50	Shoe	Ductile Iron	ASTM A536
A-84	Hold Down Nut	Bronze	ASTM B584
A-85	Weather Seal	Rubber	ASTM D2000 - EPDM
A-52	Double O-ring	Rubber	ASTM D2000 - BUNA N
A-53	Gripper Ring	Ductile Iron	ASTM A536
A-54	Breakaway Nut with Washer	Steel	-
A-55	T-head Bolt	Steel	-
A-56	Immediate Ring	Ductile Iron	ASTM A536
A-57	End-ring	Ductile Iron	ASTM A536



* Stainless steel Type 304 and 316 available as an option