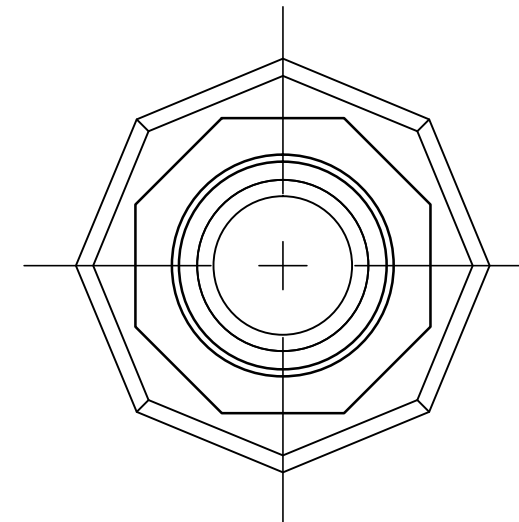
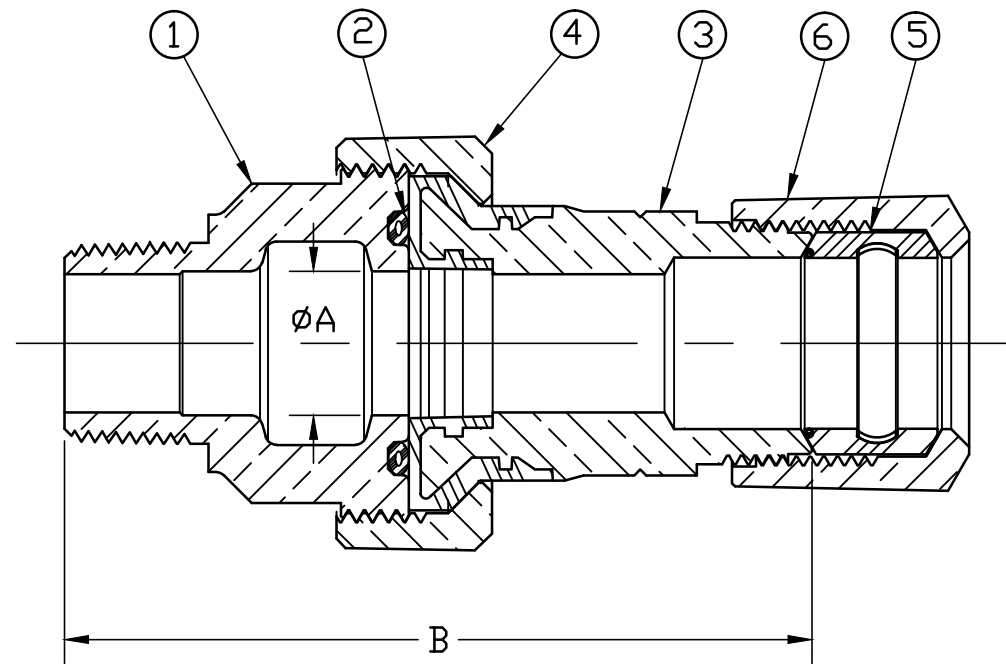


No.	DESCRIPTION	MATERIAL
1	SPUD	CAST LOW LEAD BRASS ALLOY
2	O-RING	RUBBER D-2000 NITRILE
3	INS. TAILPC ASS'Y	LOW LEAD BRASS ALLOY W/ NYLON
4	COUP. NUT	CAST BRASS B-62 ALLOY C83600
5	CTS GSKT ASSY	RUBBER D-2000 SBR
6	CONN NUT	CAST BRASS B-62 ALLOY C83600

SIZE	ØA	B
3/4"	.750	3.893
1"	1.000	4.222



FILEPATH: PROD-ENG\MUELLER\APPROVED\N35428N

						DRFTR	RWB	11/19/14	Mueller Co.	THIRD ANGLE PROJECTION
						CHKR				
						ENGR				
						MGR				
							BY	DATE	UNLESS OTHERWISE NOTED	REF. No.
									SURFACE PREPARATION:	SCALE
									BREAK CORNER(S) ----- .000	FULL
									SURFACE FINISH -- 000 RMS	
									TOLERANCE(S):	
									LINEAR ----- ± .000	
									ANGULAR ----- ± 0°00'	
									STK No:	
									MAT'L:	
									DESCR.	DWG NUMBER
									SERVICE FITTING LLB ASS'Y	N35428N
									MIP x INSULATED UNION	

TITLE TO AND OWNERSHIP OF THIS ENGINEERING DATA REMAINS IN Mueller Co. NO USE IS TO BE MADE OF THIS DATA EXCEPT AS SPECIFICALLY AUTHORIZED BY Mueller Co. ASSENT ON THE PART OF THE RECIPIENT TO THESE CONDITIONS IS PRESUMED

REV ECR DESCRIPTION DATE BY CHKR
PER EST NO: XXXXX EST FIN WT = 0.0000 lbs

DWG NUMBER N35428N
 WAS EXP NO:
 44²-MRKTNG