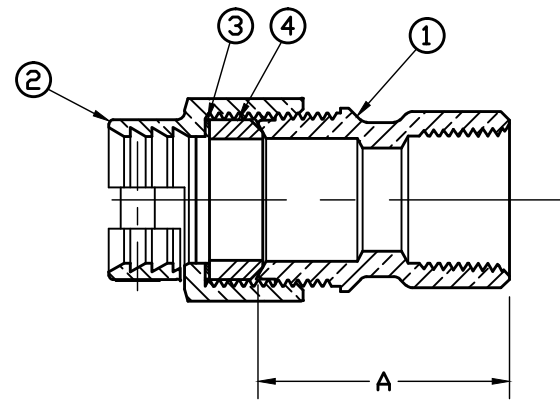


No.	DESCRIPTION	MATERIAL
1	SPUD	CAST LOW LEAD BRASS ALLOY
2	PJ CPLG NUT	CAST BRONZE ASTM B62 ALLOY C83600
3	PJ GASKET	ASTM D2000 NITRILE
4	PJ WASHER	POLYPROPYLENE



SIZE	A
3/4	1.965
3/4x1	1.766
1	2.094
1x3/4	1.625
1-1/2	2.500
2	2.562
2x1-1/2	2.265

NOTE: ALL WETTED PARTS ARE LOW LEAD BRASS ALLOY

FILEPATH: PRODD-ENG\MUELLER\APPROVED\P15451N

						DRFTR Garvin	7/16/10	Mueller Co.	UNLESS OTHERWISE NOTED SURFACE PREPARATION: BREAK CORNER(S) ---- .000 SURFACE FINISH -- XX RMS TOLERANCE(S): LINEAR ----- ± .000 ANGULAR ----- ± 0°00'	THIRD ANGLE PROJECTION	
						CHKR				REF. No.	SCALE NONE
						ENGR					
						MGR					
						BY	DATE	STK No:			
								MAT'L:			
REV	ECR	DESCRIPTION	DATE	BY	CHKR	DESCR. STRAIGHT SERVICE FITTING LOW LEAD BRASS(PJ CTS x FIP)				PART NUMBER P15451N	
PER EST NO: DXXXX EST FIN WT = 0.0000 lbs											

PART NUMBER
P15451N
442-MRKTG