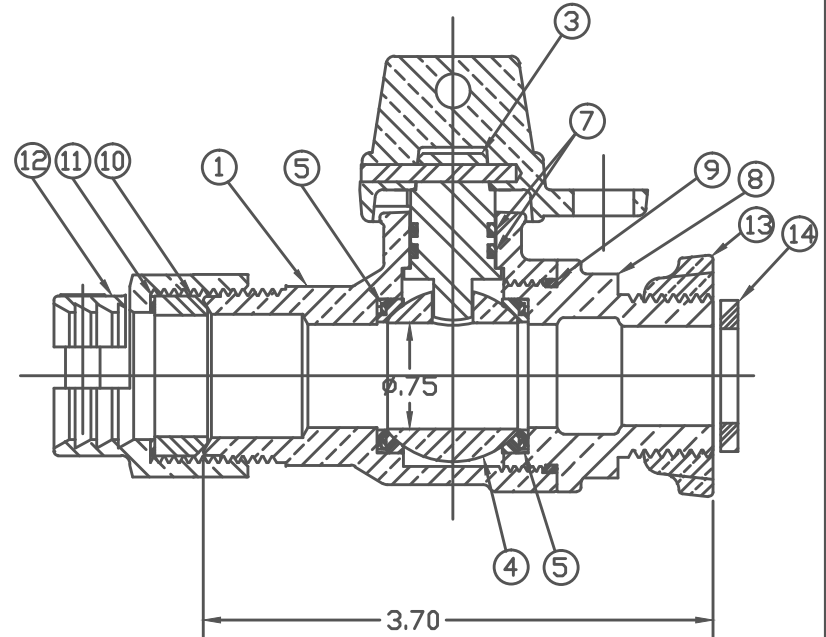
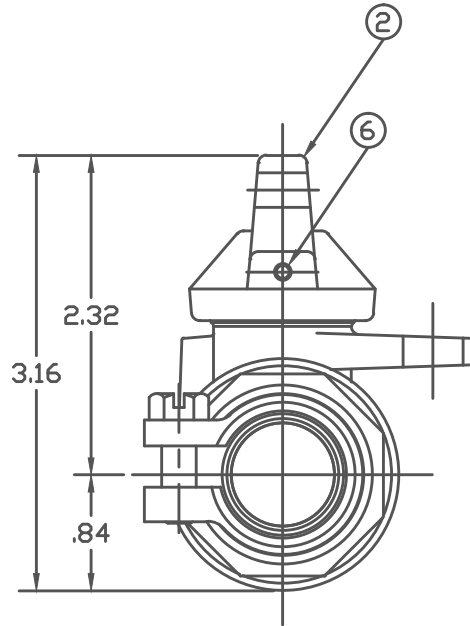


No.	DESCRIPTION	MATERIAL DESCRIPTION
1	BODY	CAST LOW LEAD BRASS ALLOY
2	CAP	CAST BRASS ASTM B62 ALLOY C83600
3	STEM	LOW LEAD BRASS ALLOY
4	BALL	LOW LEAD BRASS ALLOY
5	GASKET	ASTM D2000 (NITRILE)
6	SOLID PIN	AISI 303 STAINLESS STEEL
7	O-RING	ASTM D2000 (EP)
8	END PIECE	CAST LOW LEAD BRASS ALLOY
9	O-RING	ASTM D2000 (EP)
10	PJ GASKET	ASTM D2000 (BUNA N)
11	WASHER	POLYPROPYLENE
12	CLPG NUT SUB	CAST BRASS ASTM B62 ALLOY C83600
13	LOCKNUT	CAST BRASS ASTM B62 ALLOY C83600
14	RUBBER GASKET	ASTM D2000 (NITRILE)



NOTE: ALL WETTED PARTS ARE LOW LEAD BRASS ALLOY

FILEPATH: PROD-ENG\MUELLER\APPROVED\24366N

						DRFTR Garvin 3/9/12	Mueller Co.		UNLESS OTHERWISE NOTED SURFACE PREPARATION: BREAK CORNER(S) ---- .000 SURFACE FINISH --XXX RMS TOLERANCE(S): LINEAR ----- ± .000 ANGULAR ----- ± 0°00'		THIRD ANGLE PROJECTION 			
						CHKR							REF. No.	SCALE
						ENGR								FULL
						MGR								
						BY	DATE							
						STK No:								
						MAT'L:								
REV	ECR	DESCRIPTION	DATE	BY	CHKR	DESCR. 5/8"x3/4" INLINE BALL METER VALVE					PART NUMBER			
						LOW LEAD BRASS (CTS PJ x IRON MTR BAR)					P24366N			
PER EST NO: DXXXX EST FIN WT = 0.0000 lbs														

PART NUMBER
P24366N
MRKTNG