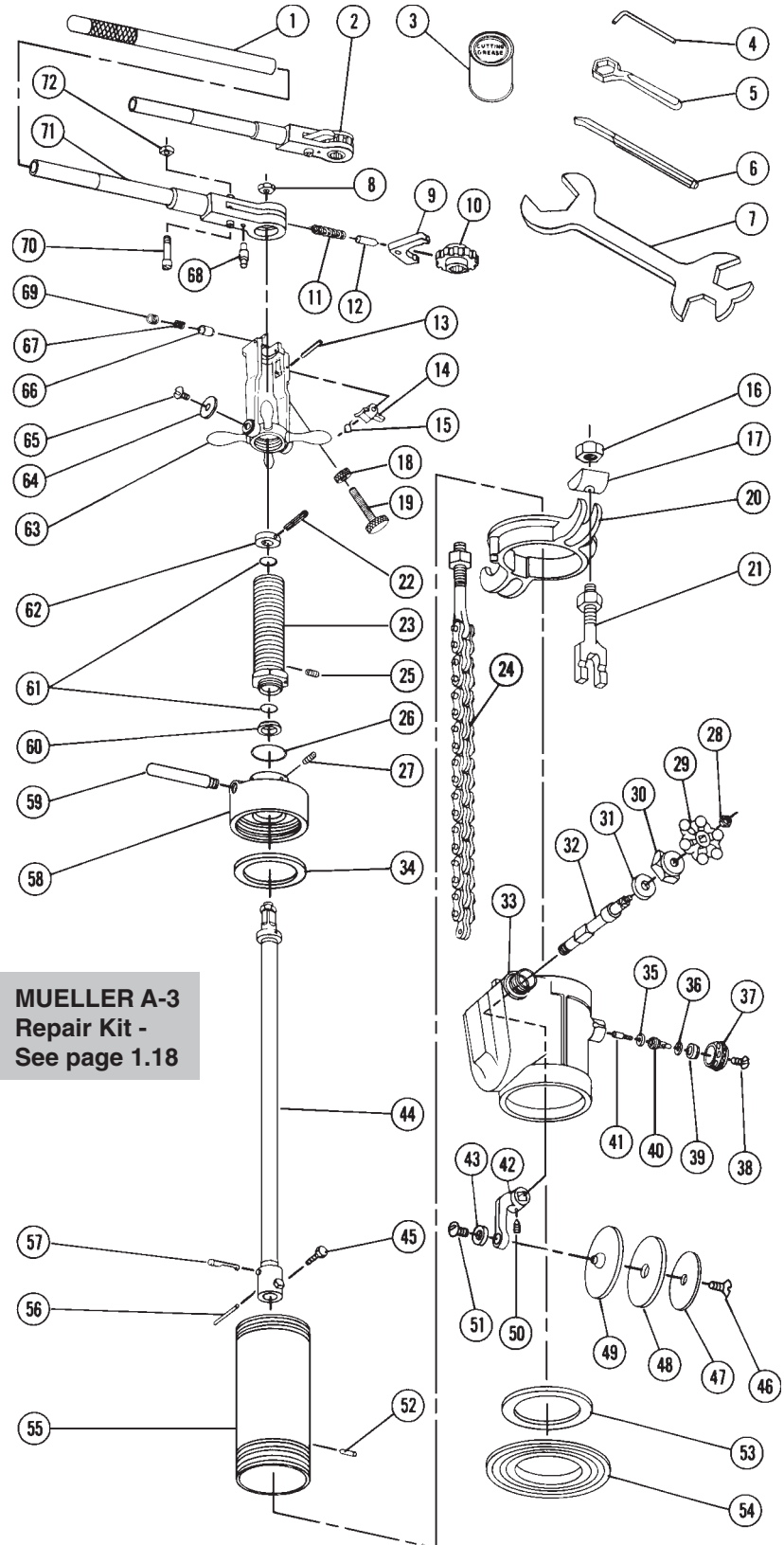


MUELLER® A-3™ DRILLING AND TAPPING MACHINE REPAIR PARTS

Shaded area indicates change Rev. 8-04

Item No.	Part Number	Part Name
1	86391	Handle extension
2	85308	Ratchet handle complete
3	88366	Cutting grease
4	90322	Allen wrench
5	40028	Chain nut wrench
6	40205	Chisel
7	75409	Wrench
8	46029	Boring bar nut
9	40004	Ratchet dog
10	40137	Ratchet wheel
11	40007	Spring
12	40006	Spring pin
13	502027	Rollpin
14	502025	Pivot arm
15	502026	Pivot arm spring
16	40211	Chain hook nut
17	40212	Chain hook washer
18	502029	Lock nut
19	502028	Operating screw
20	40213	Chain yoke
21	89099	Chain hook
22	48130	Friction collar rollpin
23	503149	Feed sleeve
24	85318	Chain for 6" - 16" mains
25	41435	Oil plug
26	45374	Feed sleeve O-ring
27	98430	Set screw
28	58849	Handwheel nut
29	58519	Handwheel
30	40193	Stem packing nut
31	58461	Stem packing washer
32	40194	Valve stem
33	503147	Valve body
34	40189	Cap gasket
35	42042	Seat washer
36	40049	Seat nut washer
37	40043	Hand knob
38	40044	Hand knob screw
39	40048	Seat nut
40	40045	Stem
41	40047	Screw
42	40195	Gate arm
43	40203	Gate screw washer
44	580967	Boring bar assembly
45	62501	Tool retaining screw
46	40200	Seat washer screw
47	40197	Gate washer
48	40198	Seat washer
49	40196	Gate
50	40013	Stem set screw
51	40202	Gate-to-arm screw
52	40023	Yoke retaining pin
53	40229	Small saddle gasket
54	40230	Large saddle gasket
55	58093	Cylinder
56	56694	Retaining pin
57	40015	Drift pin
58	503148	Cap
59	40020	Handle
60	501273	Boring bar wiper ring
61	51458	Boring bar O-ring
62	580610	Friction collar
63	580898	Feed yoke
64	50133	Washer
65	79745	Retaining screw
66	500851	Detent
67	59810	Detent spring
68	40139	Stud
69	305006	Detent screw
70	40138	Bolt*
71	801111	Handle bar
72	46255	Nut*



**MUELLER A-3
Repair Kit -
See page 1.18**

Operating instruction manual (Form #8541) & page 1.13

NOTE: These illustrations are for parts identification only. DO NOT use these illustrations for assembly or disassembly of machine. MUELLER CO. offers a machine repair service. Contact MUELLER® Customer Service Center for details.

TO ORDER SPECIFY QUANTITY, PART NUMBER AND PART NAME (include catalog number and model number of machine)

*Order both parts when replacing either one.