

# MUELLER® “J”™ DRILLING AND TAPPING MACHINE

**Mueller Co.**

# 1.19

Rev. 9-09

## MUELLER “J” Machine - for drilling and tapping operations in dry or open mains - 1/4" to 2" inclusive

- Catalog number “J”
- Hand operation
- Designed for use on dry or open mains
- Used to drill and tap 1/4" to 2" holes
- Use on cast iron or ductile iron pipe • cement lined cast iron or ductile iron pipe • A-C pipe • steel pipe

Item	Sizes									Operation	Method of operation
Corp. stop	-	-	1/2"	5/8"	3/4"	1"	1-1/4"	1-1/2"	2"	Drill and tap main	Hand
Pipe plug	1/4"	3/8"	1/2"	5/8"	3/4"	1"	1-1/4"	1-1/2"	2"		

### Equipment furnished with each machine

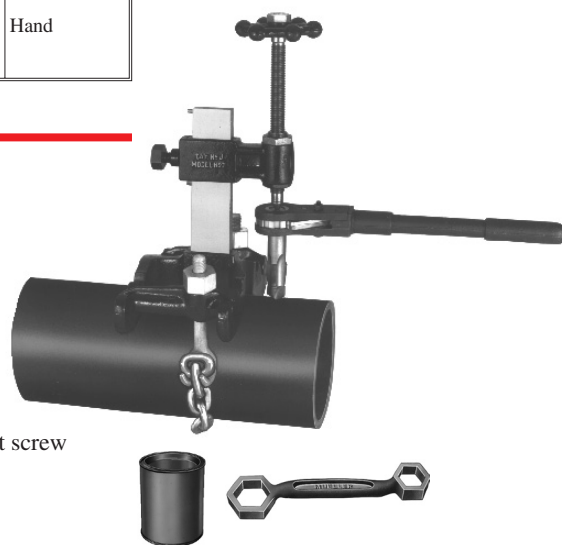
- Wooden storage chest (not shown)
- Ratchet handle
- Round link chain with eyebolt and nut
- Chain hook and nut
- Chain straps
- Double end box wrench for tightening chain hook nuts and feed screw guide set screw
- Cutting grease
- Instruction manual (Form #8549)

### Equipment to be selected

- Combined drills and taps – page 1.20

### Optional equipment

- Equipment for special uses – page 1.21



	“J” Machine
Total shipping weight	64 lbs. (29 kg)
Machine only weight	39 lbs. (18 kg)



**WARNING:** Use on A-C pipe, which contains a known carcinogen, requires appropriate protective equipment and procedures be employed.