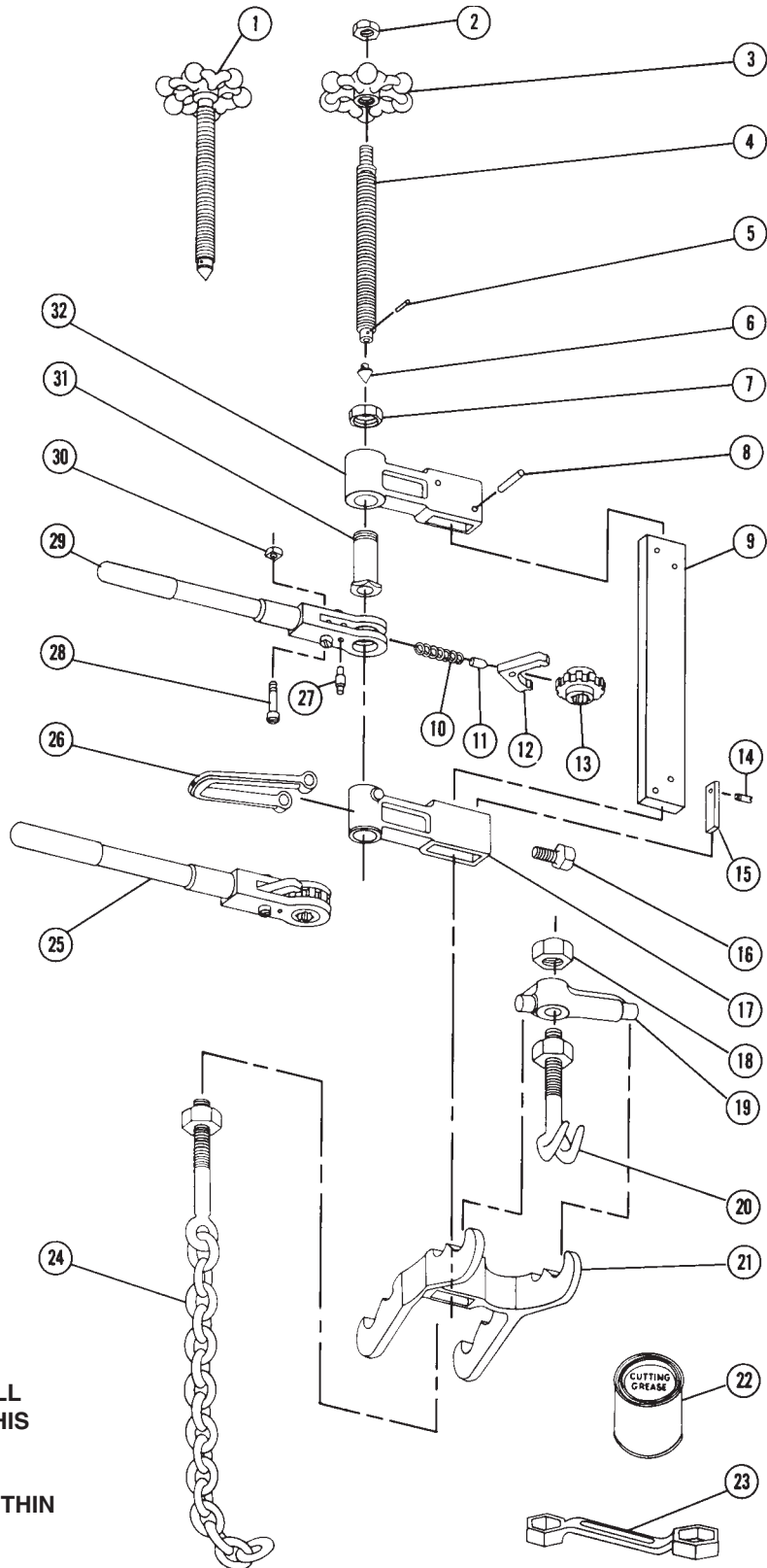


MUELLER® “H-W”™ DRILLING AND TAPPING MACHINE* REPAIR PARTS

Rev. 4-99

Item No.	Part Number	Part Name
1	85324	Feed screw complete
2	51733	Nut
3	51732	Wheel
4	51731	Screw
5	62938	Pin
6	62887	Point
7	40349	Bushing nut
8	58155	Pin
9	58159	Standard
10	40007	Spring
11	40006	Spring pin
12	40004	Ratchet dog
13	40137	Ratchet wheel
14	40023	Key retaining pin
15	40319	guide key
16	40318	Set screw
17	58224	Tool guide
18	40026	Chain nut
19	40311	Chain strap
20	85325	Chain hook with nut
21	40310	Base
22	88366	Cutting grease
23	40316	Double end box wrench
24	87206	Chain assembly
25	85303	Ratchet handle complete
26	40351	Swinging yoke
27	40139	Stud
28	40138	Bolt*
29	80109	Handle bar
30	46255	Nut*
31	40348	Feed screw bushing
32	58156	Feed screw guide



*Order both parts when replacing either one.

***THE “H-W” MACHINE IS NO LONGER AVAILABLE; UNTIL FURTHER NOTICE, MUELLER WILL CONTINUE TO PROVIDE SPARE PARTS FOR THIS PRODUCT. CONTACT YOUR MUELLER REPRESENTATIVE ABOUT OTHER MACHINES THAT PERFORM WITHIN THE SPECIFICATIONS OF THIS MACHINE.**

NOTE: These illustrations are for parts identification only. DO NOT use these illustrations for assembly or disassembly of machine. MUELLER CO. offers a machine repair service. Contact MUELLER® Customer Service Center for details.

TO ORDER SPECIFY QUANTITY, PART NUMBER AND PART NAME (include catalog number and model number of machine)