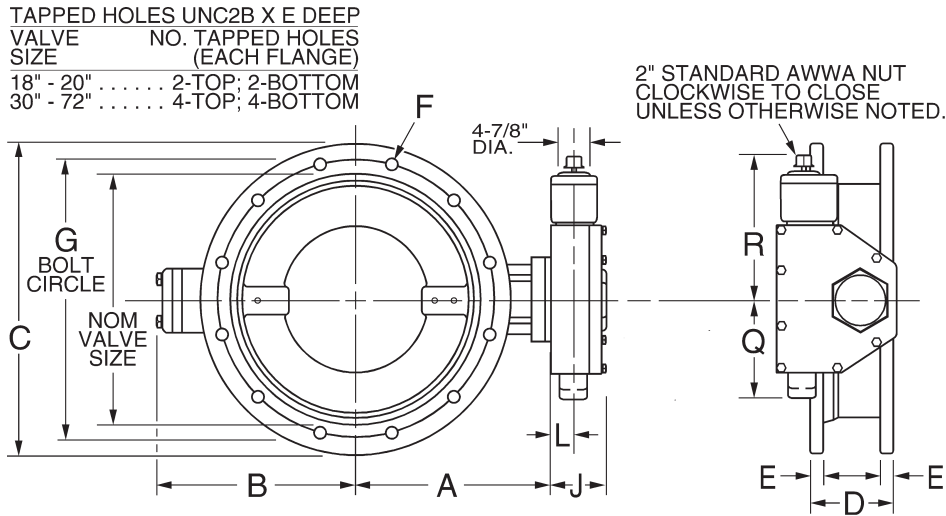


MUELLER® LINESEAL XPII™ BUTTERFLY VALVES (CLASS 250B) 3"-48" - FLANGE ENDS

Dimensions - for Line Seal XPII Valves - Flange (ANSI B16.1 Class 125) Ends, 3"-48"* Sizes.



NOTES: These dimensions are correct at time of publication but are not to be construed as certified drawings. Certified drawings are available upon request.

Actuator size subject to change based on actual pipeline conditions.

Dimension+	Nominal size															
	3"	4"	6"	8"	10"	12"	14"	16"	18"	20"	24"	30"	36"	42"	48"	
A	4.75	5.50	6.50	7.75	9.00	10.50	11.88	13.50	14.38	16.00	18.63	21.50	25.44	29.88	34.06	
B	3.25	3.50	5.13	6.50	9.88	11.38	12.75	14.38	15.25	16.88	18.38	24.13	28.00	32.69	36.88	
C	7.50	9.00	11.00	13.50	16.00	19.00	21.00	23.50	25.00	27.50	32.00	38.75	46.00	53.00	59.50	
D	5.00	5.00	5.00	6.00	8.00	8.00	8.00	8.00	8.00	8.00	8.00	12.00	12.00	12.00	15.00	
E	.75	.94	1.00	1.13	1.19	1.25	1.38	1.44	1.56	1.69	1.88	2.13	2.38	2.63	2.75	
F (number and size of holes)	4--.63	8--.63	8--.75	8--.75	12--.88	12--.88	12--1.00	16--1.00	16--1.13	20--1.13	20--1.25	28--1.25	32--1.50	36--1.50	44--1.50	
G	6.00	7.50	9.50	11.75	14.25	17.00	18.75	21.25	22.75	25.00	29.50	36.00	42.75	49.50	56.00	
J	4.69	4.69	4.69	4.69	5.63	5.63	5.63	6.38	6.38	7.56	7.56	8.31	8.31	9.88	9.88	
L	2.00	2.00	2.00	2.00	2.44	2.44	2.44	2.84	2.84	3.47	3.47	3.47	3.47	5.06	5.06	
Q	4.25	4.25	4.25	4.25	5.38	5.38	5.38	6.75	6.75	10.00	10.00	15.94	15.94	14.19	14.19	
R	8.25	8.25	8.25	8.25	10.38	10.38	10.38	11.31	11.31	17.00	17.00	19.88	19.88	26.50	26.50	
Turns to Open	32	32	32	32	30	30	30	40	40	44	44	44	136	215	215	
Actuator (see notes)	MDT-2S	MDT-2S	MDT-2S	MDT-2S	MDT-3S	MDT-3S	MDT-3S	MDT-4S	MDT-4S	MDT-5	MDT-5	MDT-5	MDT-5S	MDT-6S	MDT-6S	

+All dimensions are in inches.