

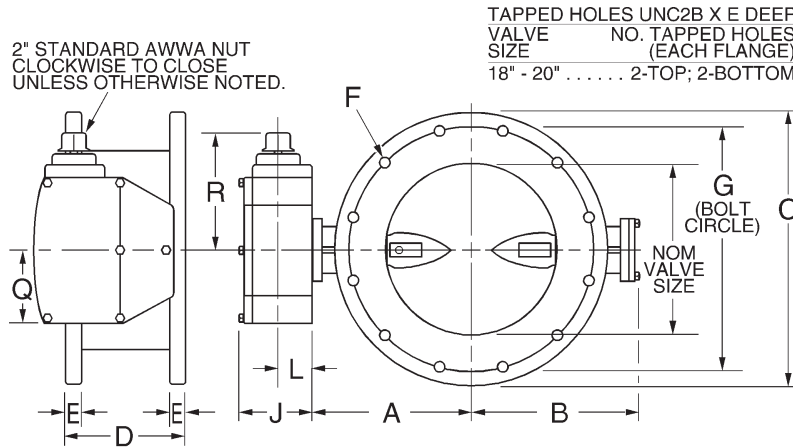
11.4



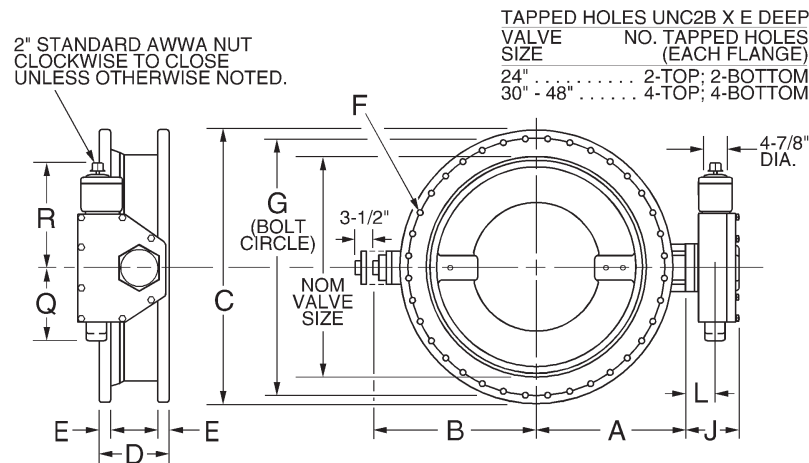
MUELLER® LINESEAL III® BUTTERFLY VALVES-(CLASS 150B) 3"-48"*-FLANGED ENDS

Rev. 9-09

Dimensions - for Line seal III Valves Flanged (Class 125) Ends, 3"-20" Sizes.



Dimensions - for Line seal III Valves Flanged (Class 125) Ends, 24"-48" Sizes.



Notes: These dimensions are correct at time of publication but are not to be construed as certified drawings. Certified drawings available upon request.

Actuator size subject to change based on actual pipeline conditions.

Dimension+	Nominal size*														
	3"	4"	6"	8"	10"	12"	14"	16"	18"	20"	24"	30"	36"	42"	48"
A	4.75	5.50	6.50	7.75	9.00	10.5	11.88	13.50	14.38	16.00	18.63	21.50	25.44	29.88	34.06
B	3.88	4.13	5.13	6.50	9.88	11.38	12.63	14.50	15.38	17.00	18.63	24.38	28.25	32.88	37.13
C	7.50	9.00	11.00	13.50	16.00	19.00	21.00	23.50	25.00	27.50	32.00	38.75	46.00	53.00	59.50
D†	5.00	5.00	5.00	6.00	8.00	8.00	8.00	8.00	8.00	8.00	12.00	12.00	12.00	12.00	15.00
E	.75	.94	1.00	1.13	1.19	1.25	1.38	1.44	1.56	1.69	1.88	2.13	2.38	2.63	2.75
F (number and size of holes)	4--.63	8--.63	8--.75	8--.75	12--.88	12--.88	12--1	16--1	16--1.13	20--1.13	20--1.25	28--1.25	32--1.50	36--1.50	44--1.50
G	6.00	7.50	9.50	11.75	14.25	17.00	18.75	21.25	22.75	25.00	29.50	36.00	42.75	49.50	56.00
J	4.69	4.69	4.69	4.69	4.69	4.69	5.63	5.63	6.38	6.38	6.38	7.56	7.56	8.31	9.88
L	2.00	2.00	2.00	2.00	2.00	2.00	2.44	2.44	2.84	2.84	2.84	3.47	3.47	3.94	5.06
Q	4.50	4.50	4.50	4.50	4.50	4.50	5.38	5.38	6.75	6.75	6.75	10.00	10.00	15.94	14.19
R	8.25	8.25	8.25	8.25	8.25	8.25	10.38	10.38	11.31	11.31	11.31	17.00	17.00	19.88	26.50
Turns to open	32	32	32	32	32	32	30	30	40	40	40	44	44	136	215
Actuator (see notes)	MDT-2S	MDT-2S	MDT-2S	MDT-2S	MDT-2S	MDT-2S	MDT-3S	MDT-3S	MDT-4S	MDT-4S	MDT-4S	MDT-5	MDT-5	MDT-5S	MDT-6S

* Larger sizes available upon request.

+ All dimensions are in inches.

† +1/16" for 10" valves, and +1/8" for 12"-48" valves per Flange Standard ANSI B16.1.