

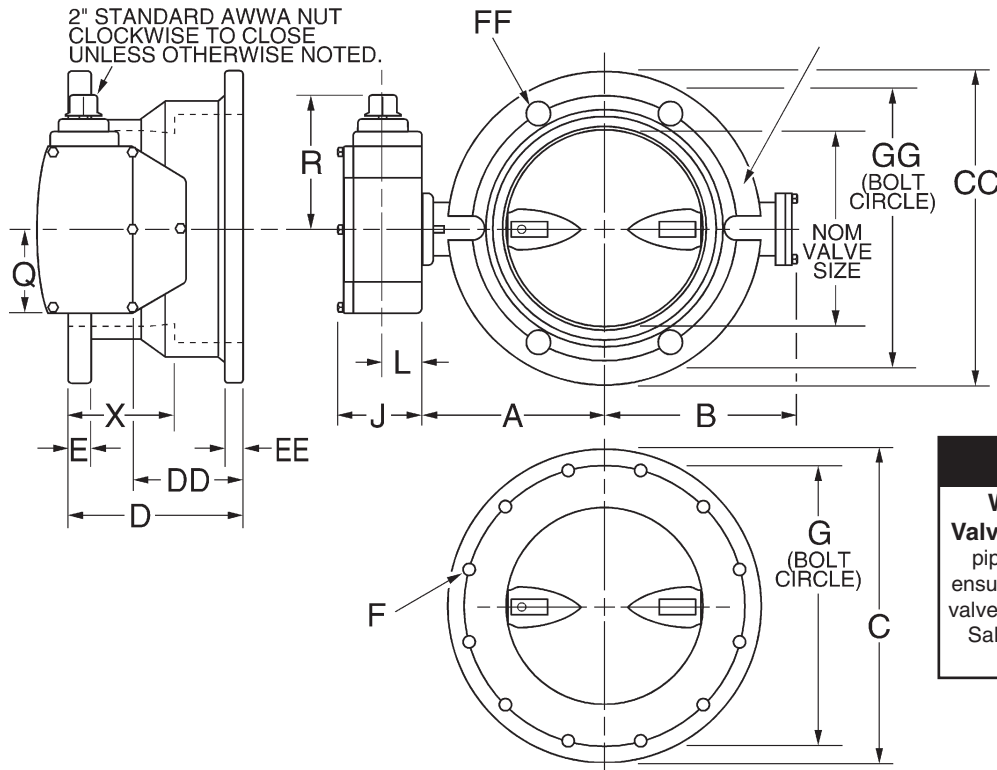
MUELLER® LINESEAL III® BUTTERFLY VALVES CLASS 150B 6"-20" - M.J. X FL.



11.5

Rev. 9-09

Dimensions - for Line Seal III Valves Mechanical Joint by Flange (Class 125) Ends, 6"-20" Sizes.



CAUTION
When using 10" and 12" Valves on Class 200 PVC Pipe, pipe end I.D. must be bevelled to ensure clearance for disc and proper valve operation. Contact your Mueller Sales Representative for detailed instructions.

Notes: These dimensions are correct at time of publication but are not to be construed as certified drawings. Certified drawings available upon request.
Actuator size subject to change based on actual pipeline conditions.

Dimension+	Nominal size							
	6"	8"	10"	12"	14"	16"	18"	20"
A	6.50	7.75	9.00	10.50	11.88	13.50	14.38	16
B	5.13	6.50	9.88	11.38	12.75	14.38	15.25	16.88
C	11.00	13.50	16.00	19.00	21.00	23.50	25.00	27.50
CC	11.00	13.25	15.56	17.94	20.31	22.56	24.69	27.09
D†	6.75	7.31	8.62	8.63	9.75	10.00	10.13	10.25
DD	4.25	4.31	4.62	4.63	5.75	6.00	6.13	6.25
E	1.06	1.13	1.25	1.25	1.38	1.44	1.56	1.69
EE	1.06	1.13	1.19	1.25	1.31	1.38	1.44	1.50
F (number and size of holes)	8--.75	8--.75	12--.88	12--.88	12--1.00	16--1.00	16--1.13	20--1.13
FF (number and size of holes)	6--.75	6--.75	8--.75	8--.75	10--.75	12--.75	12--.75	14.75
G	9.50	11.75	14.25	17.00	18.75	21.25	22.75	25.00
GG	9.50	11.75	14.00	16.25	18.75	21.00	23.25	25.50
J	4.69	4.69	4.69	4.69	5.63	5.63	6.38	6.38
L	2.00	2.00	2.00	2.00	2.44	2.44	2.84	2.84
Q	4.50	4.50	4.50	4.50	5.38	5.38	6.75	6.75
R	8.75	8.25	8.25	8.25	10.38	10.38	11.31	11.31
X	4.25	4.81	6.13	6.13	6.25	6.50	6.63	6.75
Turns to open	32	32	32	32	30	30	40	40
Actuator (see notes)	MDT-2S	MDT-2S	MDT-2S	MDT-2S	MDT-3S	MDT-3S	MDT-4S	MDT-4S

+ All dimensions are in inches.