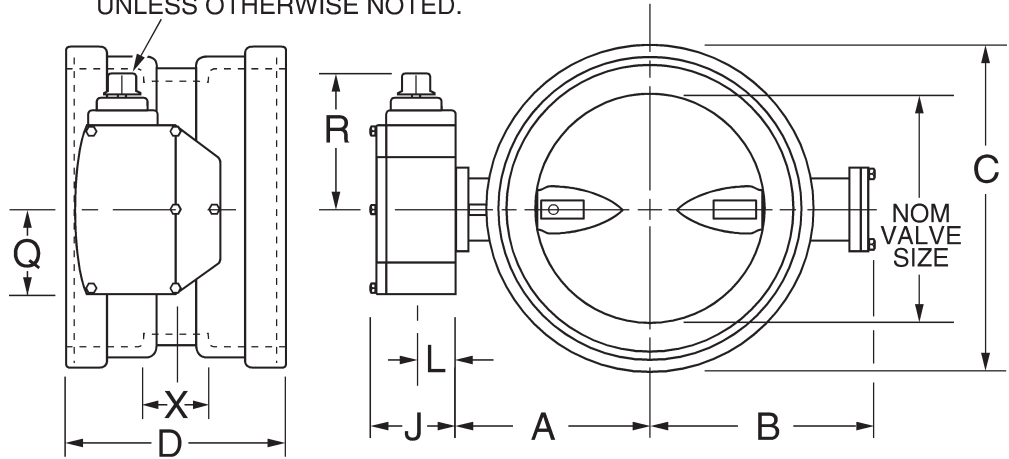


Dimensions - for Mueller Line Seal III Butterfly Valves Slip-on Ends, 12", 16" Sizes.

2" STANDARD AWWA NUT
CLOCKWISE TO CLOSE
UNLESS OTHERWISE NOTED.



CAUTION

When using 12" Valves on Class 200 PVC Pipe, pipe end I.D. must be bevelled to ensure clearance for disc and proper valve operation. Contact your Mueller Sales Representative for detailed instructions.

Notes: These dimensions are correct at time of publication but are not to be construed as certified drawings. Certified drawings available upon request.
Actuator size subject to change based on actual pipeline conditions.

	Pipe size	
	12"	16"
Pipe O.D.	13.20	17.40

Dimension+	Nominal size	
	12"	16"
A	10.50	13.50
B	11.38	14.50
C	16.38	21.25
D	15.00	15.00
J	4.69	5.63
L	2.00	2.44
Q	4.50	5.38
R	8.25	10.38
X (Laying length)	5.13	4.75
Turns to open	32	30
Actuator (see notes)	MDT-2S	MDT-3S

+All dimensions are in inches.

IMPORTANT: 1. This valve NOT FOR USE with IPS O.D. Pipe.
2. This valve for use Tyton™ Rubber Ring Gasket (Tyton is a registered Trade Mark of U.S. Pipe & Foundry Co.).