

MUELLER® LINESEAL III® BUTTERFLY VALVES CLASS 150B 3"-48"* PARTS

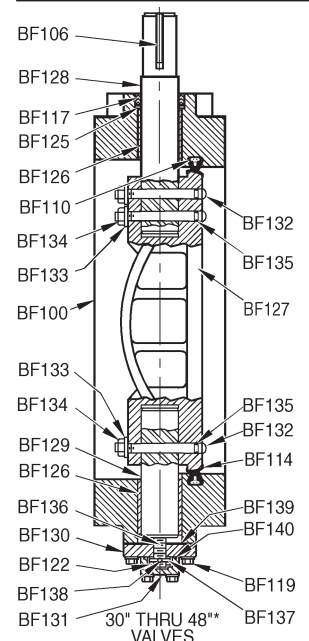
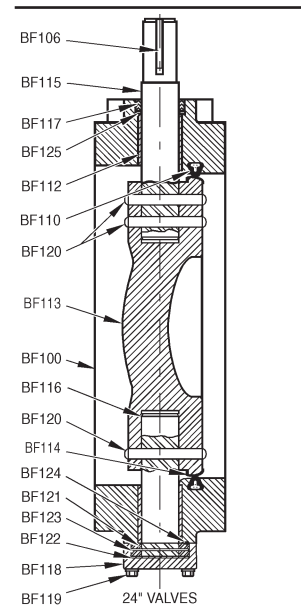
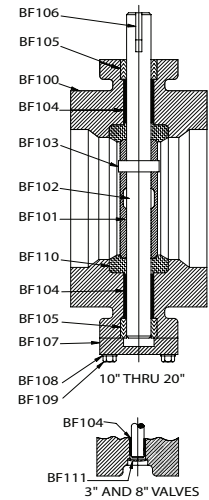
Mueller Co.

11.9

Rev. 9-09

Line Seal III Butterfly Valve Replacement Parts

Catalog Part No.	Description	Material
BF100	Body	Cast iron ASTM A126 CL.B
BF101	Disc**	Cast iron ASTM A126, Class B with 316 Edge
BF102	Shaft	Stainless Steel 18-8 Type 304 ASTM A-276
BF103	Squeeze pin	Stainless Steel 18-8 Type 304 ASTM A-276
BF104	Bearing	Nylatron GS
BF105	Packing	Chevron V-Type
BF106	Key	Carbon Steel C-1045
BF107	Cover	Cast Iron ASTM A-48 Class 40
BF108	Lockwasher	Stainless Steel Type 304
BF109	Cap Screw	Stainless Steel Type 304
BF110	Seat	Buna N
BF111	Plug	Stainless Steel Type 304
BF112	Bearings	PTFE Lined, Filament Wound, Reinforced Plastic, Fiberglass Backed
BF113	Disc	Ductile Iron ASTM A-536 Grade 65-45-12
BF114	Disc edge	Stainless Steel Type 316 ASTM A-240
BF115	Top stub shaft	Stainless Steel Type 304 ASTM A-276 (Standard) Stainless Steel Type 316 ASTM A-276
BF116	Bottom stub shaft	Stainless Steel Type 304 ASTM A-276 (Standard) Stainless Steel Type 316 ASTM A-276
BF117	Packing	Buna N
BF118	Bottom cover	Cast Iron ASTM A-48 Class 40
BF119	Cap screws	Carbon Steel
BF120	Squeeze pins	Stainless Steel Type 304 ASTM A-479
BF121	Thrust collar	Stainless Steel Type 420
BF122	Thrust collar shims	Bronze
BF123	Spring pin	Stainless Steel Type 420
BF124	O-ring	Buna N
BF125	Packing retainer	Nylon
BF126	Bearings	Duralon
BF127	Disc	Ductile Iron ASTM A-536 Grade 65-45-12
BF128	Top stub shaft	Stainless Steel Type 304 ASTM A-276
BF129	Bottom stub shaft	Stainless Steel Type 304 ASTM A-276
BF130	Bottom cover	Cast Iron ASTM A-126 Class B
BF131	Bottom cover cap	Cast Iron ASTM A-126 Class B
BF132	Taper pins	Stainless Steel Type 630 ASTM A-564 Cond. H-1150
BF133	Lockwashers	Stainless Steel Type 304
BF134	Hex nuts	Stainless Steel Type 304
BF135	O-rings	Buna N
BF136	Thrust bearing stud	Stainless Steel Type 304
BF137	Thrust collar	Bronze ASTM B-505 Alloy C93200
BF138	Dowel pin	Alloy Steel
BF139	Bottom cover gasket	Blended Fiber, Cured Nitril Binder
BF140	O-ring	Buna N



* Contact your Mueller representative for sizes larger than 48".

**3", 4", 6" is ASTM A-351 CF8M Stainless Steel.