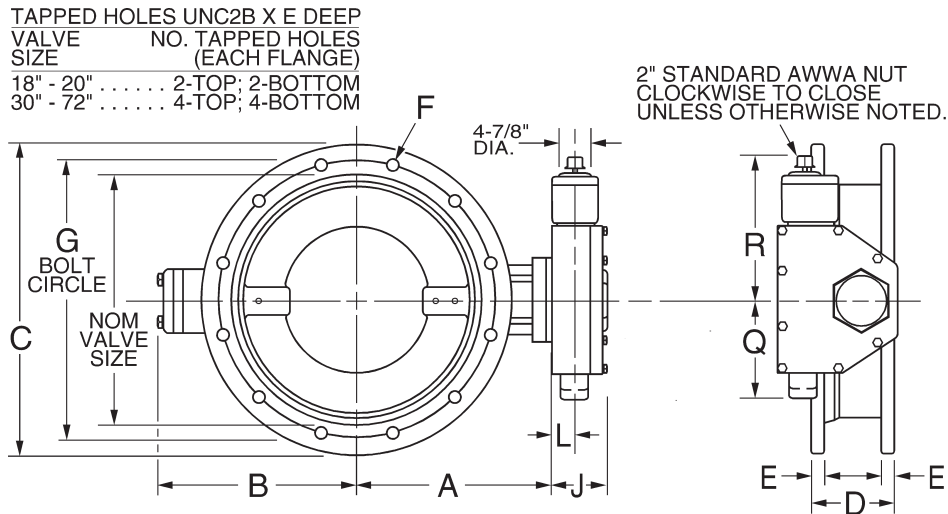


MUELLER® LINESEAL XP™ BUTTERFLY VALVES (CLASS 250B) 3"-48"* - FLANGE ENDS

Dimensions - for Lineseal XP Valves - Flange (ANSI Class 250) Ends, 3"-48"* Sizes.



NOTES: These dimensions are correct at time of publication but are not to be construed as certified drawings. Certified drawings are available upon request.

Actuator size subject to change based on actual pipeline conditions.

Dimension+	Nominal size														
	3"	4"	6"	8"	10"	12"	14"	16"	18"	20"	24"	30"	36"	42"	48"
A	4.75	5.50	7.25	8.50	9.75	11.50	12.75	14.00	15.25	17.00	19.75	25.63	28.13	32.13	36.25
B	3.25	3.50	8.38	9.63	11.00	12.63	13.88	15.13	16.38	17.63	20.25	26.00	31.13	35.13	39.63
C	8.25	10.00	12.50	15.00	17.50	20.50	23.00	25.50	28.00	30.50	36.00	43.00	50.00	57.00	65.00
D	5.00	5.00	6.00	8.00	8.00	8.00	12.00	12.00	12.00	12.00	12.00	12.00	15.00	15.00	15.00
E	1.13	1.25	1.44	1.63	1.88	2.00	2.13	2.25	2.38	2.50	2.75	3.00	3.38	3.69	4.00
F (number and size of holes)	8--.75	8--.75	12--.75	12--.88	16--1.00	16--1.13	20--1.13	20--1.25	24--1.25	24--1.25	24--1.50	28--1.75	32--2.00	36--2.00	40--2.00
G	6.63	7.88	10.63	13.00	15.25	17.75	20.25	22.50	24.75	27.00	32.00	39.25	46.00	52.75	60.75
J	4.69	4.69	4.69	4.69	5.63	5.63	5.63	6.38	6.38	7.56	7.56	7.56	8.31	11.13	
L	2.00	2.00	2.00	2.00	2.44	2.44	2.44	2.84	2.84	3.49	3.49	3.49	3.94	5.06	
Q	4.50	4.50	4.50	4.50	5.38	5.38	5.38	6.75	6.75	10.00	10.00	10.00	15.94	14.19	
R	8.25	8.25	8.25	8.25	10.38	10.38	10.38	11.31	11.31	17.00	17.00	17.00	19.88	26.50	
Turns to Open	32	32	32	32	30	30	30	40	40	44	44	44	136	215	
Actuator (see notes)	MDT-2S	MDT-2S	MDT-2S	MDT-2S	MDT-3S	MDT-3S	MDT-3S	MDT-4S	MDT-4S	MDT-5	MDT-5	MDT-5	MDT-5S	MDT-6S	

**CONTACT
FACTORY**

+All dimensions are in inches.