

# MUELLER® TRU-CUT™ DRILLING MACHINE REPAIR PARTS AND REPAIR KIT

**Mueller Co.**

# 2.21

Shaded area indicates change Rev. 9-09

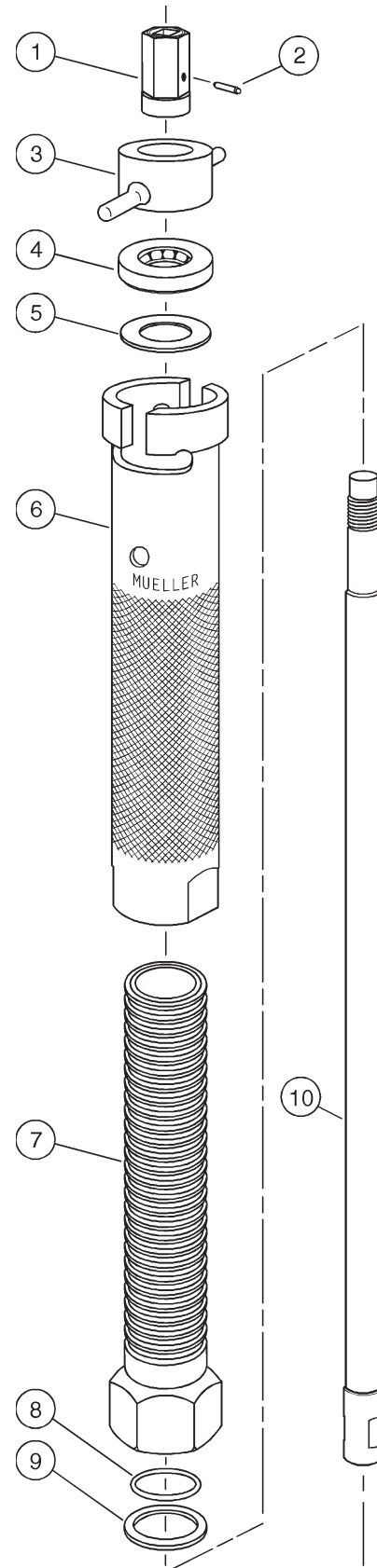
Item No.	Part Number	Part Name
	039431	Machine Complete
1	528716	Drive nut
2	507143	Pin
3	89073	Connector
4	78855	Bearing
5	78856	Collar
6	528725	Feed sleeve
7	528717	Body
8	78858	O-ring
9	58733	Gasket
10	528718	Boring bar

## Repair Kit

Item No.	Part Number	Part Name
	682296	Machine Complete
1	528716	Drive nut
2	507143	Pin
3	89073	Connector
5	78856	Collar
6	528725	Feed sleeve
7	528717	Body
8	78858	O-ring
9	58733	Gasket
10	528718	Boring bar
	528571	Thrust bearing
	681919	Shell cutter
	505825	Lock washer
	507632	Machine Adapter

## Body Extension

Part Number	Part Name
506363	1-15/16" Ling Body Extension



NOTE: These illustrations are for parts identification only. DO NOT use these illustrations for assembly or disassembly of machine. MUELLER CO. offers a machine repair service. Contact MUELLER® Customer Service Center for details.

**TO ORDER SPECIFY QUANTITY, PART NUMBER AND PART NAME  
(include catalog number and model number of machine)**