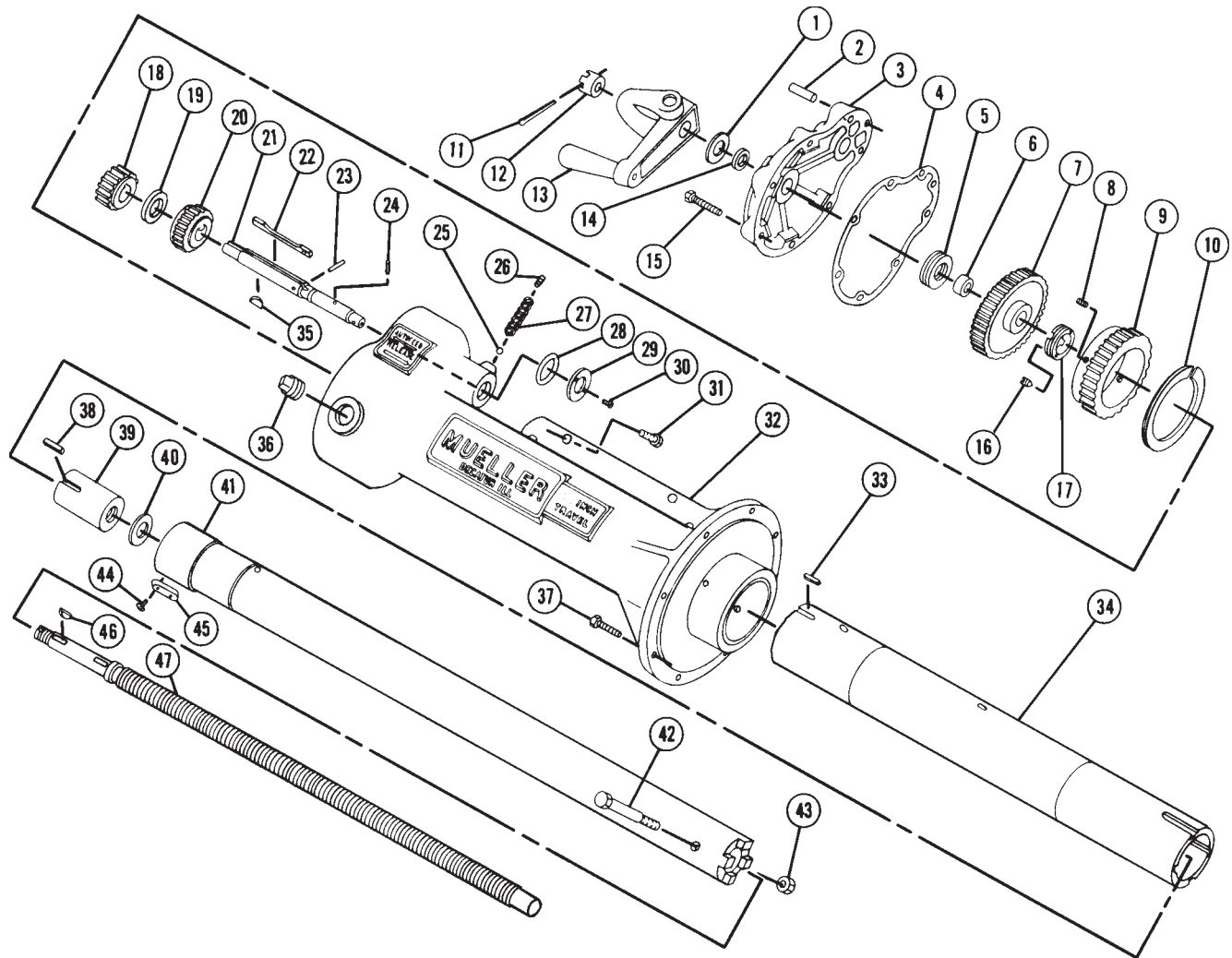


MUELLER® C1-36-99002 DRILLING MACHINE REPAIR PARTS

Mueller Co.

3.15

Rev. 4-01



NOTE: These illustrations are for parts identification only. DO NOT use these illustrations for assembly or disassembly of machine. MUELLER CO. offers a machine repair service. Contact MUELLER® Customer Service Center for details.

Item No.	Part Number	Part Name	Item No.	Part Number	Part Name	Item No.	Part Number	Part Name
1	508438	Thrust washer	17	54433	Lock nut	33	54466	Feed gear key
2	54545	Dowel pin	18	501074	Idler pinion	34	33923	Drive tube
3	508433	Rear cover	19	54471	Idler spacer	35	300190	Key
4	33080	Rear cover gasket	20	55432	Idler pinion driver	36	64134	Plug
5	55569	Thrust bearing	21	54470	Idler shaft	37	55098	Cap screw
6	54630	Bushing	22	54469	Drive key	38	54445	Feed nut keys (2)
7	55567	Feed screw gear	23	63477	Drive key pin	39	33404	Feed nut
8	98873	Set screws (2)	24	54538	Indicator drive pin	40	54418	Feed nut washer
9	55564	Drive tube feed gear	25	54702	Ball detent	41	88331	Boring bar assembly
10	54425	Feed gear thrust washer	26	99022	Set screw	42	311866	Bolt
11	98928	Cotter pin	27	55610	Detent spring	43	58849	Nut
12	55601	Feed screw nut	28	508434	Idler oil seal	44	52182	Screws (4)
13	88150	Crank & hoisting yoke	29	508435	Oil seal retainer	45	54482	Keys (2)
14	311332	Oil seal O-ring	30	95257	Screws (2)	46	98225	Keys (2)
15	504333	Screw	31	92375	Screws (4)	47	43964	Feed screw
16	98956	Set screws (2)	32	88481	Torque tube assembly (w/ bushings)		89346	Lubricant

**TO ORDER SPECIFY QUANTITY, PART NUMBER AND PART NAME
(include catalog number and model number of machine).**