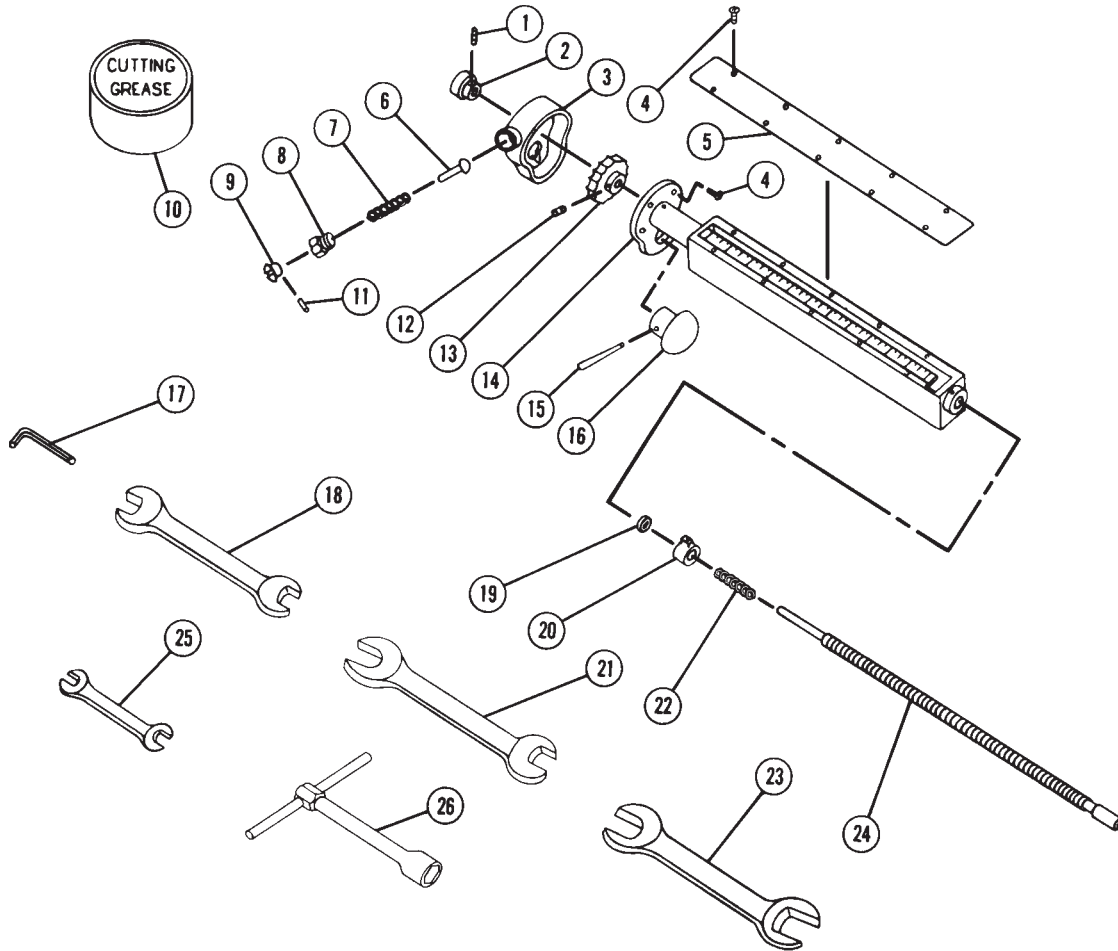


MUELLER® CC-25™ DRILLING MACHINE* REPAIR PARTS

Mueller Co.

3.19

Rev. 4-01



NOTE: These illustrations are for parts identification only. DO NOT use these illustrations for assembly or disassembly of machine. MUELLER CO. offers a machine repair service. Contact MUELLER® Customer Service Center for details.

***THE "CC-25" MACHINE IS NO LONGER AVAILABLE; UNTIL FURTHER NOTICE, MUELLER WILL CONTINUE TO PROVIDE SPARE PARTS FOR THIS PRODUCT. CONTACT YOUR MUELLER REPRESENTATIVE ABOUT OTHER MACHINES THAT PERFORM WITHIN THE SPECIFICATIONS OF THIS MACHINE.**

Item No.	Part Number	Part Name	Item No.	Part Number	Part Name	Item No.	Part Number	Part Name
1	99023	Set screw	10	88366	Cutting grease	19	54549	Washer
2	54551	Knob	11	56392	Pin	20	54519	Indicator nut
3	54446	Cover plate	12	97763	Set screw	21	58196	Wrench
4	37804	Screw	13	54523	Wheel	22	33083	Spring
5	33084	Shield	14	54516	Indicator body	23	55726	Wrench
6	36361	Plunger	15	53747	Knob pin	24	54517	Indicator screw
7	36362	Spring	16	54454	Knob	25	96536	Wrench
8	36360	Body	17	90322	Allen wrench	26	59839	Socket wrench
9	36359	Detent knob	18	56680	Wrench			

**TO ORDER SPECIFY QUANTITY, PART NUMBER AND PART NAME
(include catalog number and model number of machine).**