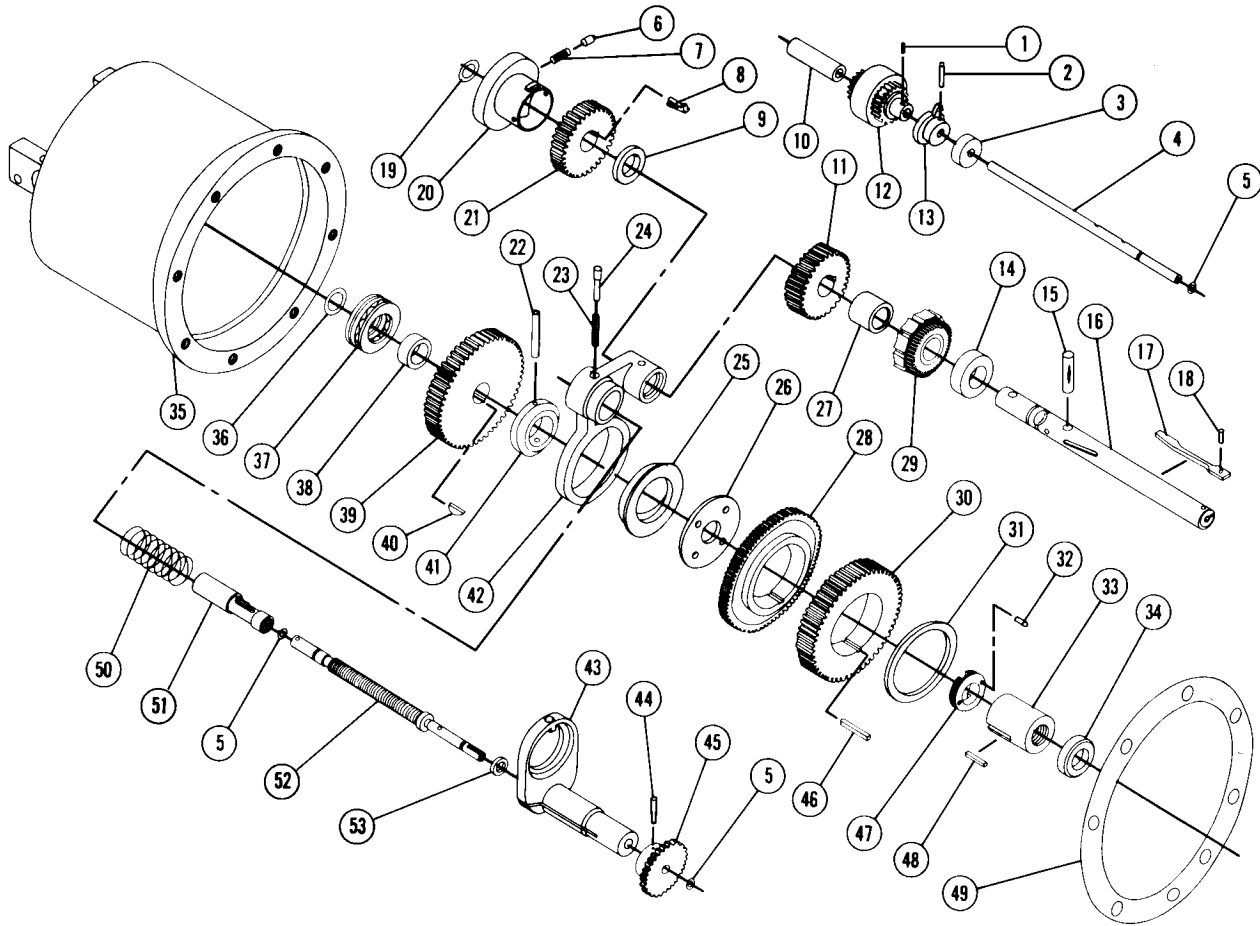


3.6



MUELLER® CL-12™ DRILLING MACHINE REPAIR PARTS

Rev. 4-01



NOTE: These illustrations are for parts identification only. DO NOT use these illustrations for assembly or disassembly of machine. MUELLER CO. offers a machine repair service. Contact MUELLER® Customer Service Center for details.

Item No.	Part Number	Part Name	Item No.	Part Number	Part Name	Item No.	Part Number	Part Name
1	60350	Pin	19	79344	O-ring	37	40854	Thrust bearing
2	53747	Pin	20	83587	Auto-feed cam	38	48125	Bushing
3	48154	Spacer	21	48117	Feed screw pinion	39	48169	Feed screw gear
4	48062	Travel indicator shaft	22	48094	Pin	40	300190	Key
5	43973	O-ring	23	48157	Spring	41	48093	Collar
6	500853	Detent	24	48158	Plunger	42	48156	Overtravel link
7	500872	Detent spring	25	48095	Bushing	43	83579	Auto-feed tube
8	48170	Key	26	48096	Drive tube thrust washer	44	48123	Pin
9	48159	Collar	27	48105	Collar	45	48122	Gear
10	48124	Sleeve	28	48089	Drive tube indicator gear	46	48087	Key
11	48104	Drive tube pinion	29	83595	Idler shaft indicator gear	47	48097	Nut
12	83582	Travel indicator gear unit	30	48088	Drive tube gear	48	54445	Key
13	48153	Single tooth gear	31	48086	Drive tube gear thrust washer	49	48127	Gasket
14	48168	Spacer	32	301567	Set screw	50	35994	Spring
15	48160	Pin	33	48098	Feed nut	51	48120	Auto-feed nut
16	48103	Idler shaft	34	48099	Collar	52	48119	Auto-feed indicator shaft
17	54469	Dive key	35	83581	Rear cover	53	48121	Thrust washer
18	63477	Dive key pin	36	41301	Feed screw seal			

**TO ORDER SPECIFY QUANTITY, PART NUMBER AND PART NAME
(include catalog number and model number of machine).**