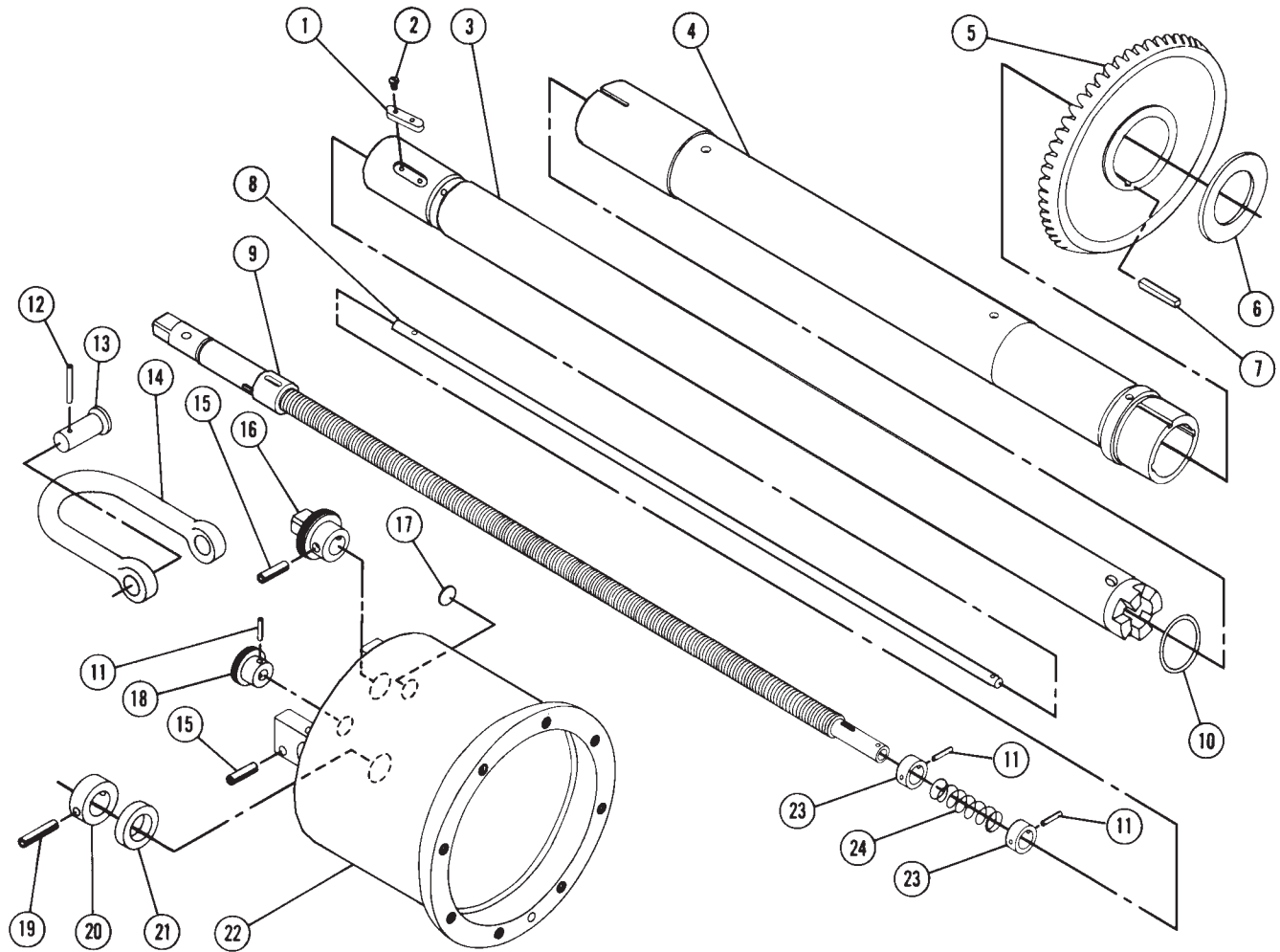


MUELLER® CL-12™ DRILLING MACHINE REPAIR PARTS

Mueller Co.

3.7

Rev. 4-01



NOTE: These illustrations are for parts identification only. DO NOT use these illustrations for assembly or disassembly of machine. MUELLER CO. offers a machine repair service. Contact MUELLER® Customer Service Center for details.

Item No.	Part Number	Part Name	Item No.	Part Number	Part Name	Item No.	Part Number	Part Name
1	54482	Key	9	507572	Feed screw	17	48129	Freeze plug
2	52181	Screw	10	78828	Boring bar seal	18	48136	Auto-feed knob
3	83589	Boring bar	11	53747	Pin	19	48134	Pin
4	48185	Drive tube	12	48130	Pin	20	48133	Collar
5	500636	Bevel gear	13	48165	Shaft	21	48132	Spacer
6	48178	Thrust washer	14	500889	Rear lift yoke	22	83581	Rear cover
7	48192	Key	15	48131	Pin	23	48100	Collar
8	48092	Overtravel rod	16	48135	Idler shaft knob	24	48101	Spring

**TO ORDER SPECIFY QUANTITY, PART NUMBER AND PART NAME
(include catalog number and model number of machine).**