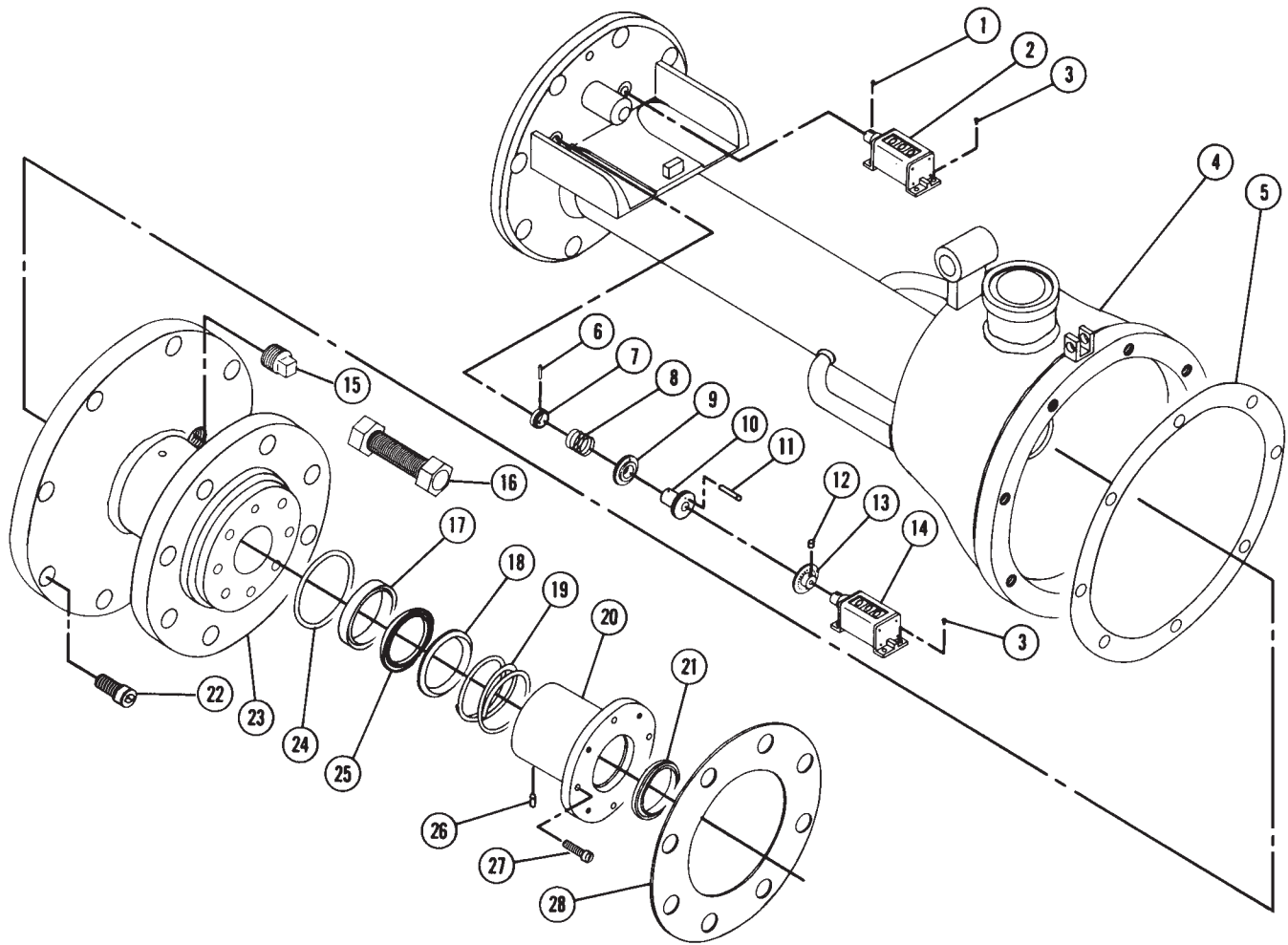


Rev. 1-09 Shaded area indicates change



NOTE: These illustrations are for parts identification only. DO NOT use these illustrations for assembly or disassembly of machine. MUELLER CO. offers a machine repair service. Contact MUELLER® Customer Service Center for details.

Item No.	Part Number	Part Name	Item No.	Part Number	Part Name	Item No.	Part Number	Part Name
1	48061	Pin	12	301780	Set Screw	23	83592	Front Flange
2	48139	Travel indicator	13	500778	Sleeve	24	48296	O-ring*†
3	37804	Screw	14	48140	Auto-feed indicator	25	45121	Packing ring*†
4	83591	Body	15	64134	Plug	26	47092	Pin
5	48091	Gasket	16	56682	Bolt and nut	27	92754	Gland cap screw
6	48081	Pin	17	44978	Concave follower*	28	55449	Gasket
7	500775	Fixed collar	18	44320	Convex follower*	29	79270	O-ring*†
8	500774	Spring	19	98001	Spring*	580473		Metallic and Soft Repair Kit includes*
9	500776	Moveable collar	20	48138	Packing gland*	682612		Soft Repair Kit includes†
10	500777	Sleeve	21	48137	Wiper ring*†			
11	500779	Pin*	22	98570	Cap Screw			