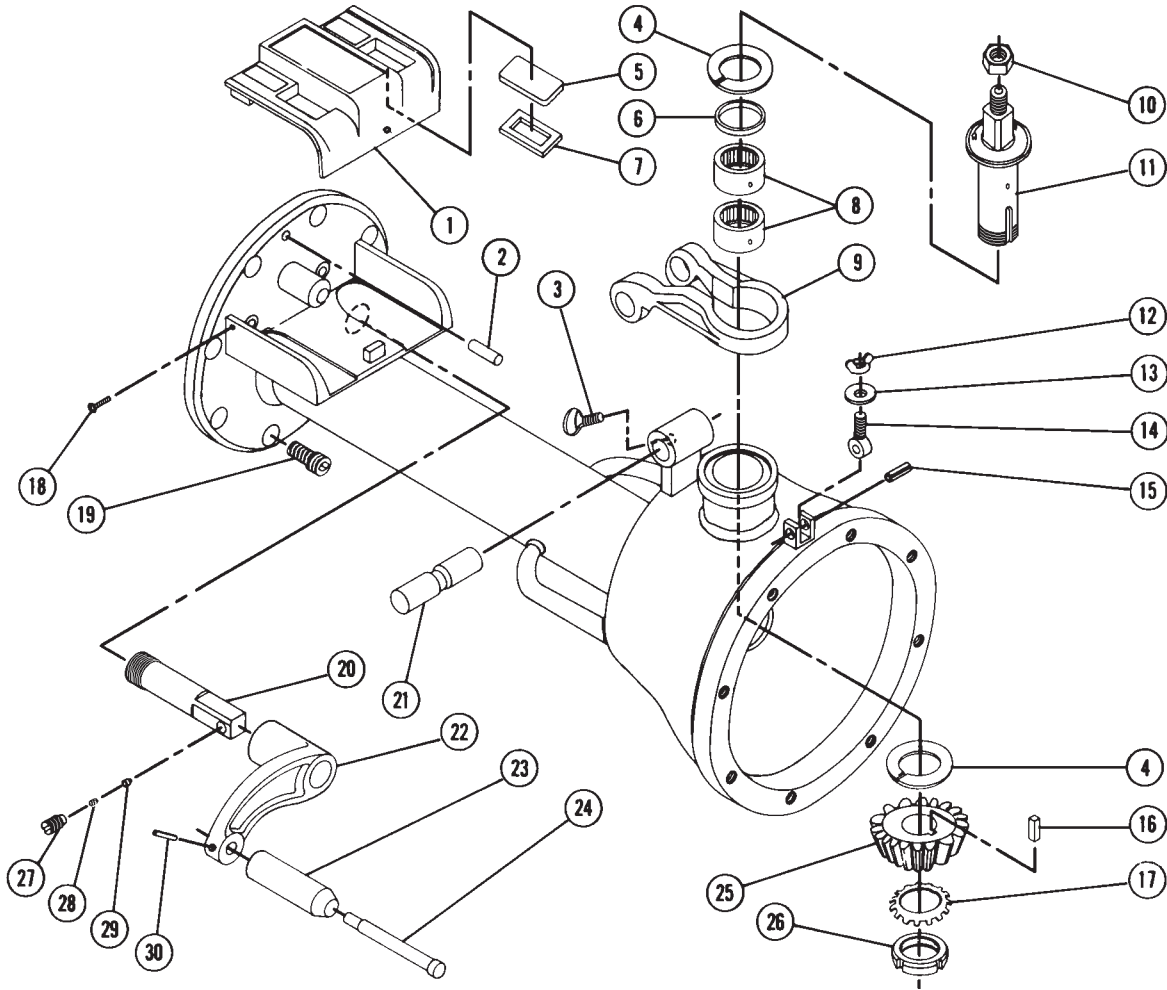


# MUELLER® CL-12™ DRILLING MACHINE REPAIR PARTS

Mueller Co.

3.9

Rev. 4-01



NOTE: These illustrations are for parts identification only. DO NOT use these illustrations for assembly or disassembly of machine. MUELLER CO. offers a machine repair service. Contact MUELLER® Customer Service Center for details.

Item No.	Part Number	Part Name	Item No.	Part Number	Part Name	Item No.	Part Number	Part Name
1	48102	Cover	11	48188	Bevel pinion shaft	21	48144	Pivot
2	54545	Dowel pin	12	94341	Wing nut	22	48164	Crank
3	91665	Thumb screw	13	54012	Washer	23	48163	Handle
4	48187	Thrust washer	14	52389	Eyebolt	24	54477	Stud
5	48141	Shield	15	500635	Rollpin	25	500637	Bevel pinion
6	500632	Seal	16	48189	Key	26	48190	Lock nut
7	48142	Gasket	17	48191	Lock washer	27	501498	Retainer
8	500633	Bearing	18	48143	Cover screw	28	59810	Detent spring
9	48205	Front lift yoke	19	98570	Cap screw	29	501497	Detent
10	46029	Nut	20	48145	Plug	30	53747	Pin

**TO ORDER SPECIFY QUANTITY, PART NUMBER AND PART NAME  
(include catalog number and model number of machine).**