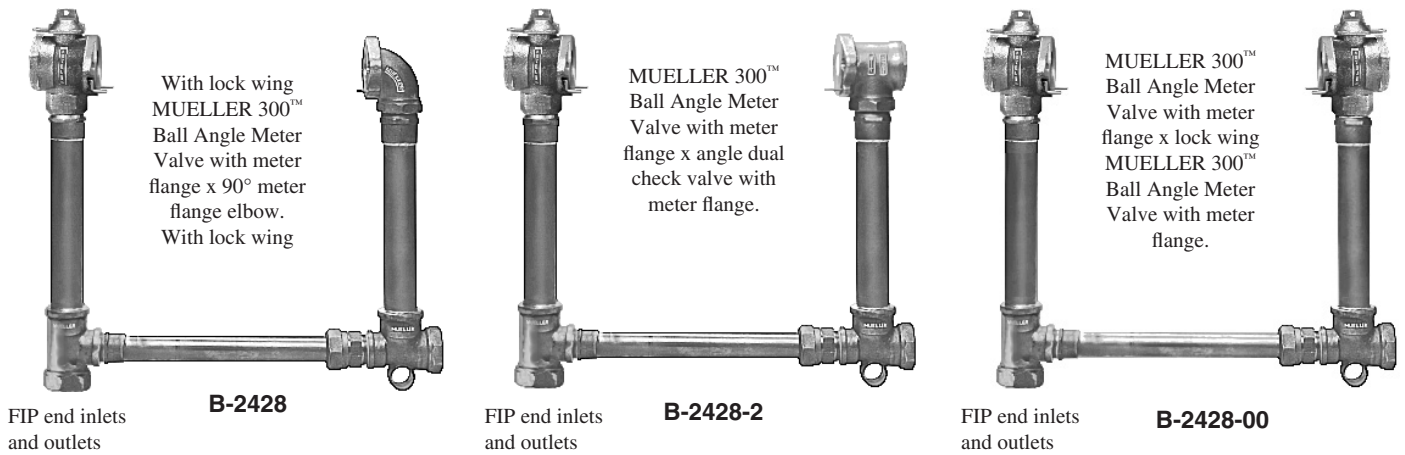


# METER SETTERS WITH VERTICAL INLET & OUTLET HORIZONTAL (FOR 1-1/2" & 2" FLANGED METERS)

**Mueller Co.** **8A.41**

Rev. 9-09

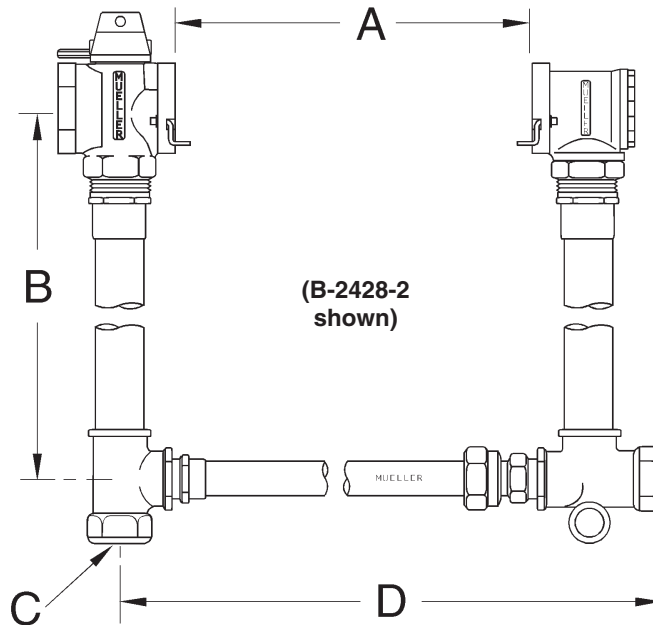
**8A - COPPER YOKES**



## 1-1/2" and 2" Copper meter setters

Catalog number	B-2428	B-2428-2*	B-2428-00
Description	With lock wing MUELLER 300™ Ball Angle Meter Valve x 90° meter flange elbow	With lock wing MUELLER 300™ Ball Angle Meter Valve x angle dual check valve with meter flange	With lock wing MUELLER 300™ Ball Angle Meter Valve x lock wing MUELLER 300 Ball Angle Meter Valve

\*For ASSE Approved canister dual check - add 6A for regular or 6D for drain



### Dimensions

Meter size	1-1/2"	2"
Dimension A	13.25"	17.25"
Dimension B - riser height	12", 15", 18", 21", 24", 27"	12", 15", 18", 21", 24", 27"
Dimension C - nominal pipe size of inlet and outlet	1-1/2"	2"
Dimension D	19.187"	24.125"

Contact MUELLER Customer Service Center for ordering requirements and availability.

See section 6 for end connections that can be used with these yokes.

**SPECIFY METER SIZE, RISER HEIGHT AND CATALOG NUMBER.**