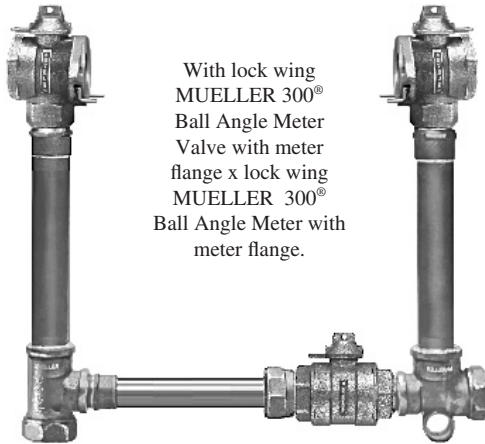


METER SETTERS WITH VERTICAL INLET & HORIZONTAL OUTLET (FOR 1-1/2" & 2" FLANGED METERS) & BYPASS

Mueller Co. **8A.43**

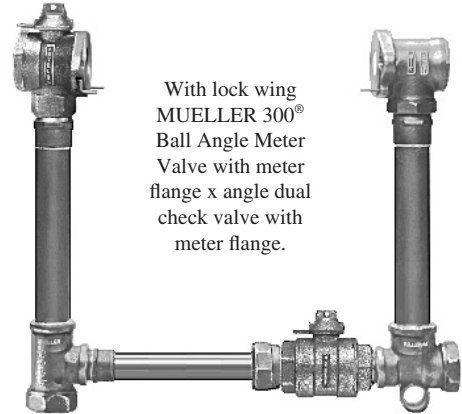
Rev. 9-09

8A - COPPER YOKES



With lock wing
MUELLER 300®
Ball Angle Meter
Valve with meter
flange x lock wing
MUELLER 300®
Ball Angle Meter with
meter flange.

B-2429



With lock wing
MUELLER 300®
Ball Angle Meter
Valve with meter
flange x angle dual
check valve with
meter flange.

B-2429-2

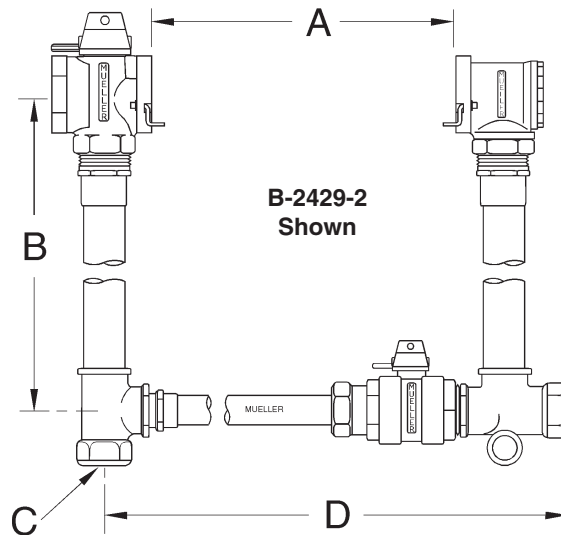
FIP end inlets
and outlets

FIP end inlets
and outlets

1-1/2" and 2" Copper meter setters (with bypass)

Catalog number	B-2429	B-2429-2 *
Description	With lock wing MUELLER 300™ Ball Angle Meter Valve with meter flange x lock wing MUELLER 300™ Ball Angle Meter Valve with meter flange. By-pass with lock wing Mueller 300™ Ball Valve.	With lock wing MUELLER 300™ Ball Angle Meter Valve x angle dual check valve with meter flange. By-pass with lock wing Mueller 300™ Ball Valve.

*For ASSE Approved canister dual check - add 6A for regular or 6D for drain



Dimensions

Meter size	1-1/2"	2"
Dimension A	13.25"	17.25"
Dimension B - riser height	12", 15", 18", 21", 24", 27"	12", 15", 18", 21", 24", 27"
Dimension C - nominal pipe size of inlet and outlet	1-1/2"	2"
Dimension D	19.187"	24.125"

Contact MUELLER Customer Service Center for ordering requirements and availability.
See section 6 for end connections that can be used with these yokes.

SPECIFY METER SIZE, RISER HEIGHT AND CATALOG NUMBER.