

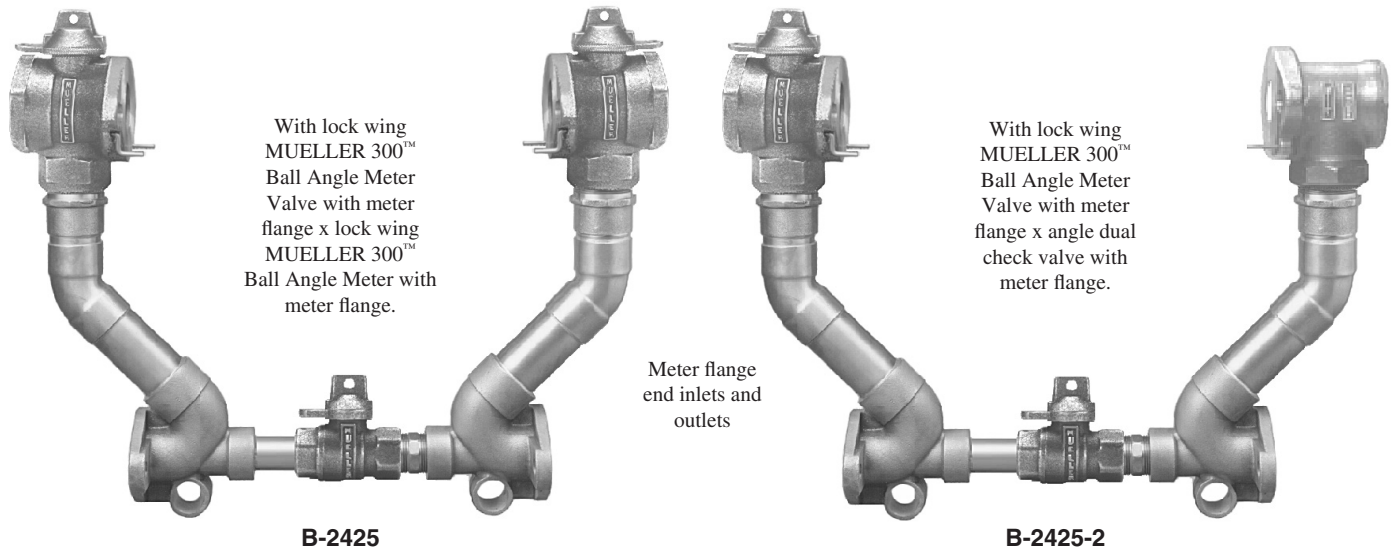
METER RESETTERS WITH HORIZONTAL INLET AND OUTLET AND BYPASS (FOR 2" FLANGED METERS)

Mueller Co.

8A.47

Rev. 9-09

8A - COPPER YOKES

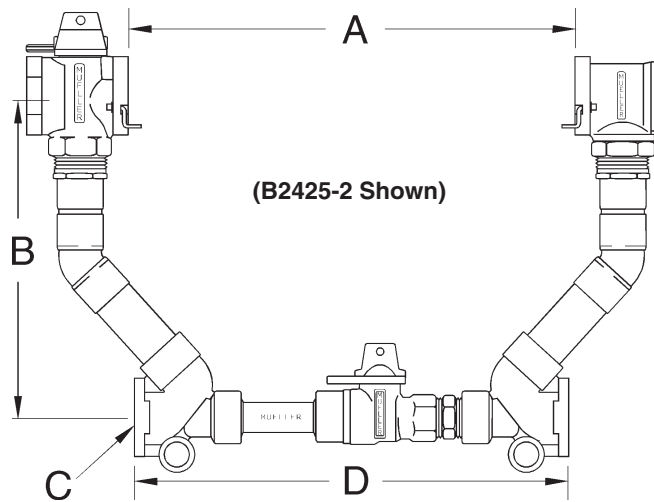


2" Copper meter resetters (with bypass)

Catalog number	B-2425	B-2425-2 *
Description	With lock wing MUELLER 300™ Ball Angle Meter Valve with meter flange x lock wing MUELLER 300™ Ball Angle Meter with meter flange. By-pass with lock wing Mueller 300™ Ball Valve.	With lock wing MUELLER 300™ Ball Angle Meter Valve x angle dual check valve with meter flange. By-pass with lock wing Mueller 300™ Ball Valve.

NOTE: 1-1/2" Available only with High By-pass

*For ASSE Approved canister dual check - add 6A for regular or 6D for drain



Dimensions

Meter size	2"
Dimension A	17.25"
Dimension B - riser height	14", 15", 16", 18", 21", 24", 27"
Dimension C - nominal pipe size of inlet and outlet	2"
Dimension D	17"

Contact MUELLER® Customer Service Center for ordering requirements and availability.

See section 6 for end connections that can be used with these yokes.

SPECIFY METER SIZE, RISER HEIGHT AND CATALOG NUMBER.